



Integra

Neurocritical care

Product Catalogue

Table of Contents

Ordering and Warranty Information	4
Camino® Monitor	5
Camino® Advanced Monitor	5
Camino® Pressure Monitoring Catheter Kits	6
Intracranial Pressure Monitoring Kit	6
Intracranial Pressure and Temperature Monitoring Kit	6
Post Craniotomy Subdural Pressure Monitoring Kit	7
Ventricular Drainage and Pressure Monitoring Kit with Bolt	7
Micro Ventricular Drainage and Pressure Monitoring Kit with Bolt	8
Micro Ventricular Drainage, Pressure and Temperature Monitoring Kit with Bolt	8
Intracranial Pressure Monitoring Catheter Kit with Licox® Bolt Fitting	9
Camino® Pressure Monitoring Accessories	10
Cranial Access Kit	10
Hand Drill	10
Drill Bits	10
Accessories and Cables for CAM01 & MPM1	11
Cable Matrix for CAM01 & MPM1 / SPM1 Monitors	12, 13
Licox® Brain Tissue Oxygen Monitoring System	14
Licox® CMP Oxygen and Temperature Monitor	14
Licox® Monitor Link with CMP Monitor Cable	15
Licox® PMO Box	15
Oxygen Probe	16
Temperature Probe	16
Introducer Kit, Single Lumen	17
Introducer Kit, Double Lumen	17
Introducer Kit, Triple Lumen	17
Licox® Complete Brain Probe Kit, Single Lumen	18
Licox® Complete Brain Probe Kit, Double Lumen	18
Licox® Complete Brain Probe Kit, Triple Lumen	18
Licox® Complete Brain Probe Kit with Temperature Probe, Triple Lumen	18
Oxygen Probe for Tunneling	19
Parenteral Probe Guide for Tunneling	19
Complete Tunneling Probe Kit	19

Licox® Combined Oxygen and Temperature Probes	20
Licox® Single Lumen Introducer Kit	20
Licox® Double Lumen Introducer Kit	20
Licox® Complete Brain Probe Kit, Single Lumen	21
Licox® Complete Brain Probe Kit, Double Lumen	21
Licox® Complete Brain Tunneling Probe Kit	21
Licox® Parenteral probe guide	21
Measuring intracranial pressure with Licox® Brain Probe kits	22
CMP Monitor Power Supply	22
Licox®/Ventric® Accessories and Cables	23, 24
Index	29, 30

Pricing:

Prices stated in specific written quotations are firm for thirty days from the date given, and are otherwise subject to change without prior notice. Pricing terms stated on written agreements are governed by such agreements.

Minimum Order Requirements:

Minimum order requirement is €250 (a €20 minimum order requirement charge will be added to any order under €250).

Ordering Procedure:

A written purchase order on the customer's form may be requested for purchases of Integra LifeSciences products.

Acceptance of Orders:

Orders are accepted upon approval by Integra Customer Service.

Return Policy:

- Authorization from Customer Service must be obtained prior to returning product.
- Sterile product must be returned in unopened, undamaged cartons, packed to prevent damage.
- Non-sterile product must be returned in unused saleable condition in original package.
- Custom or special order products will not be accepted for credit.
- Credit will be issued for goods returned prior to ninety days from ship date with a 20% restocking charge. This assumes that the product returned is not damaged and can be verified to have not been used or opened.
- Licox® oxygen probes cannot be returned.

Customer Service Contact Information:

France / International

+33 (0) 437 47 59 10
+33 (0) 437 47 59 29 (Fax)
CustSvcFrance@Integralife.com

Benelux

+32 (0) 2 257 4130
+32 (0) 2 253 2466 (Fax)
CustSvcBenelux@Integralife.com

United Kingdom

+44 (0) 1264 345 780
+44 (0) 1264 363 782 (Fax)
CustSvcUK@Integralife.com

Germany

+49 (0) 2102 5535 6200
+49 (0) 2102 5536 636 (Fax)
CustSvcGermany@Integralife.com

Switzerland

+41 22 721 23 30
+41 22 721 23 99 (Fax)
CustSvcSuisse@Integralife.com

Integra Limited Warranty

INTEGRA LIFESCIENCES CORPORATION and its wholly owned subsidiaries («INTEGRA») warrant to INTEGRA authorized distributors and the original purchaser only that each new INTEGRA product is free from manufacturing defects in material and workmanship under normal use and service for a period of one (1) year (except as otherwise expressly provided as to accessory items) from the date of delivery by INTEGRA (or its authorized distributor) to the original purchaser, but in no event beyond the expiration date stated on any product labeling. For purposes of products sold by INTEGRA through an authorized distributor of INTEGRA, «original purchaser» shall include the purchaser of INTEGRA products to whom the distributor first sells the product.

- Surgical instruments are guaranteed to be free from defects in material and workmanship when maintained and cleaned properly and used normally for their intended purpose.
- Any covered product that is placed by INTEGRA under a lease, rental or installment purchase agreement and that requires repair service during the term of such placement agreement shall be repaired in accordance with the terms of such agreement.

If any covered defect occurs during the warranty period or term of such placement agreement, the purchaser or distributor should communicate directly with INTEGRA. If purchaser or distributor seeks to invoke the terms of this warranty, the product must be returned to INTEGRA. The defective product should be returned promptly, properly packaged and postage prepaid. Loss or damage in return shipment to INTEGRA shall be at sender's risk. INTEGRA's sole responsibility under this warranty shall be repair or replacement, at INTEGRA's sole discretion at INTEGRA's expense, subject to the terms of this warranty and applicable agreements.

IN NO EVENT SHALL INTEGRA BE LIABLE FOR ANY INCIDENTAL, INDIRECT, CONSEQUENTIAL OR PUNITIVE DAMAGES IN CONNECTION WITH THE ACQUISITION OR USE OF ANY INTEGRA PRODUCT. Further, this warranty shall not apply to, and INTEGRA shall not be responsible for, any loss arising in connection with the purchase or use of any INTEGRA product that has been repaired by anyone other than an authorized INTEGRA service representative or altered in any way so as, in INTEGRA's judgment, to affect its stability or reliability, or which has been subject to misuse, negligence or accident, or which has been used otherwise than in accordance with the instructions furnished by INTEGRA.

THIS INTEGRA LIMITED WARRANTY IS EXCLUSIVE AND IN LIEU OF ALL OTHER WARRANTIES, EXPRESS OR IMPLIED, AND OF ALL OTHER OBLIGATIONS OR LIABILITIES ON INTEGRA'S PART OR THE PART OF ITS DISTRIBUTORS, AND INTEGRA NEITHER ASSUMES NOR AUTHORIZES ANY REPRESENTATIVE OR OTHER PERSON TO ASSUME FOR IT ANY OTHER LIABILITY IN CONNECTION WITH INTEGRA'S PRODUCTS.

INTEGRA DISCLAIMS ALL OTHER WARRANTIES, EXPRESS OR IMPLIED INCLUDING ANY IMPLIED WARRANTY OF MERCHANTABILITY OR OF FITNESS FOR A PARTICULAR PURPOSE OR APPLICATION OR WARRANTY OF QUALITY AS WELL AS ANY EXPRESS OR IMPLIED WARRANTY TO PATIENTS. No warranty or guarantee may be created by any act or statement nor may this Standard Warranty be modified in any way, except as a result of a writing signed by an officer of INTEGRA. These limitations on the creation or modification of this warranty may not be waived or modified orally or by any conduct.

IN NO EVENT SHALL INTEGRA AUTHORIZED DISTRIBUTORS BE LIABLE TOWARDS THE ORIGINAL PURCHASER FOR ANY INCIDENTAL, INDIRECT, CONSEQUENTIAL OR PUNITIVE DAMAGES IN CONNECTION WITH THE ACQUISITION OR USE OF ANY INTEGRA PRODUCT. Further, this warranty shall not apply to, and INTEGRA authorized distributors shall not be responsible towards the original purchaser for, any loss, arising in connection with the purchase or use of any INTEGRA product that has been repaired by anyone other than an authorized INTEGRA service representative or altered in any way so as to affect its stability or reliability, or which has been subject to misuse, negligence or accident, or which has been used otherwise than in accordance with the instructions furnished by INTEGRA. THIS INTEGRA DISTRIBUTOR LIMITED WARRANTY IS EXCLUSIVE AND IN LIEU OF ALL OTHER WARRANTIES TOWARDS THE ORIGINAL PURCHASER, EXPRESS OR IMPLIED, AND OF ALL OTHER OBLIGATIONS OR LIABILITIES TOWARDS THE ORIGINAL PURCHASER ON INTEGRA AUTHORIZED DISTRIBUTOR'S PART.

INTEGRA AUTHORISED DISTRIBUTORS DISCLAIM ALL OTHER WARRANTIES TOWARDS THE ORIGINAL PURCHASER, EXPRESS OR IMPLIED INCLUDING ANY IMPLIED WARRANTY OF MERCHANTABILITY OR OF FITNESS FOR A PARTICULAR PURPOSE OR APPLICATION OR WARRANTY OF QUALITY AS WELL AS ANY EXPRESS OR IMPLIED WARRANTY TO PATIENTS.

Camino® Advanced Monitor

The Camino® Advanced monitor offers a broad range of functions to attain new levels of parenchymal and ventricular monitoring through fiberoptic technology at the source. Features of this advanced monitoring system include:

- Large & easy to Read Display. The CAMO1 color display delivers an ICP waveform, digital CPP, ICP and ICT readouts.
- Trend Analysis. The CAMO1 provides continuous recording and display of ICP and CPP values over the most recent 12 or 24 hour period.
- Compact and Portable Design and ergonomic handle. The CAMO1 can be bedrail or pole mounted and connected to hospital bedside monitoring systems for added functionality. A built-in rechargeable battery permits monitoring during transport.
- High ICP and Low CPP Alarms. Detect a rise in intracranial pressure or a decrease in cerebral perfusion pressure outside of user selected limits and facilitate early recognition and intervention.
- RS232 and ICP Analog Output. Connectors enable hard copy data for research, education and analysis.

Catalog No. CAMO1

System includes:

- PAC1 Cable
- PMIOMP1 Cable
- Power Cables (US, UK, Europe)



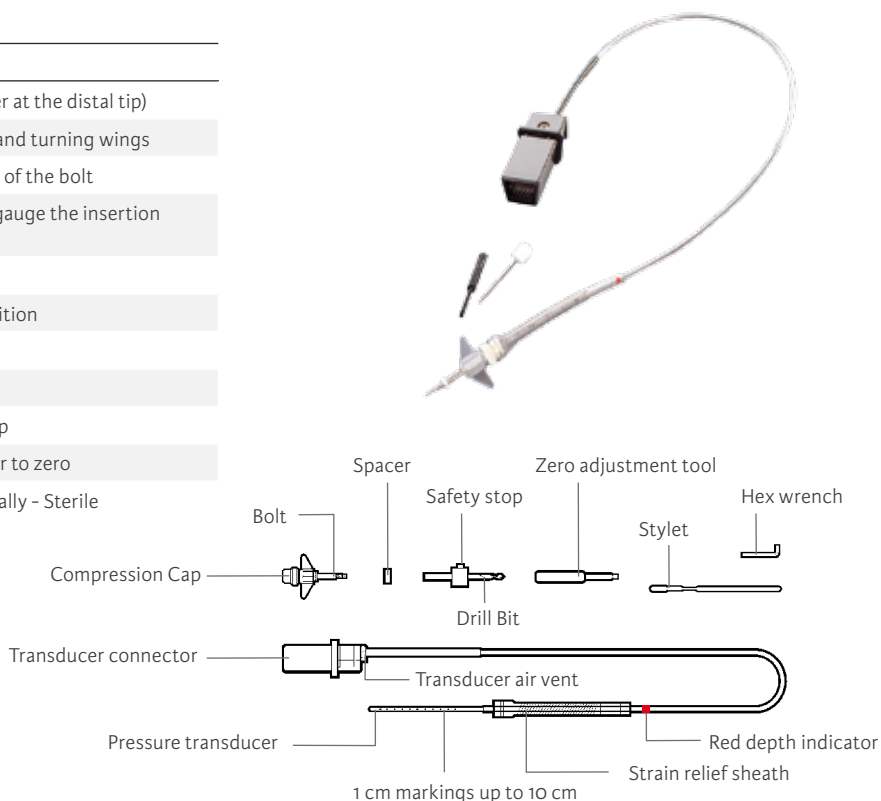
Intracranial Pressure Monitoring Kit

Placement: Parenchyma or subarachnoid space

KIT COMPONENTS

1 transducer tipped catheter	4Fr/ 1.35 mm (transducer at the distal tip)
Camino® bolt	With compression cap and turning wings
Spacer	To adjust seating depth of the bolt
Catheter depth Markings	1 to 10 cm markings to gauge the insertion depth
Strain relief sheath	Protective sheath
Red depth indicator	To check the depth position
Twist drill bit with safety stop	8Fr/2.7mm
Stylet	To clear the passage
Hex wrench	To adjust the safety stop
Zero adjustment tool	To adjust the transducer to zero
Packaging	10 per cases or individually - Sterile

Catalog No. 1104B



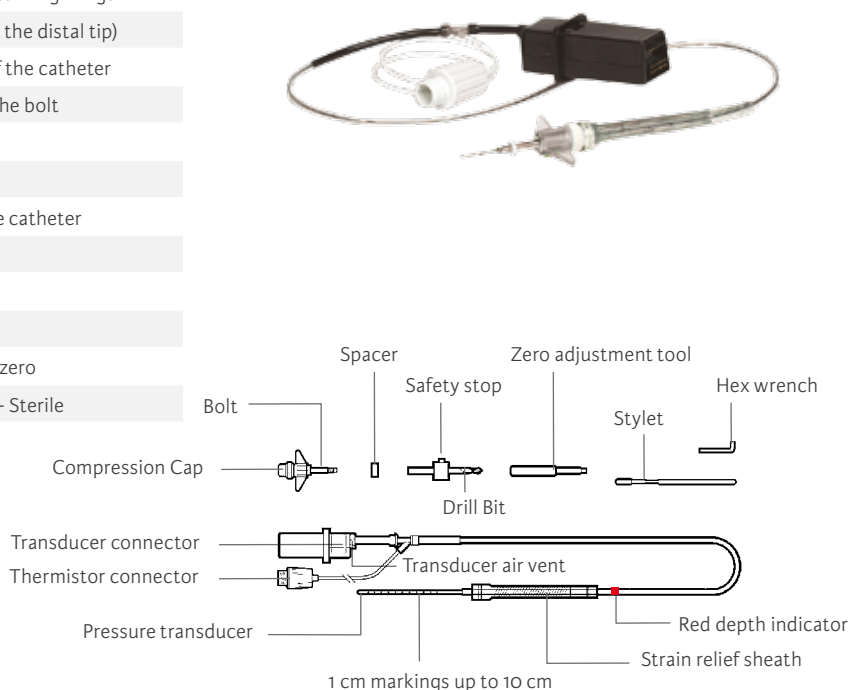
Intracranial Pressure and Temperature Monitoring Kit

Placement: Parenchyma

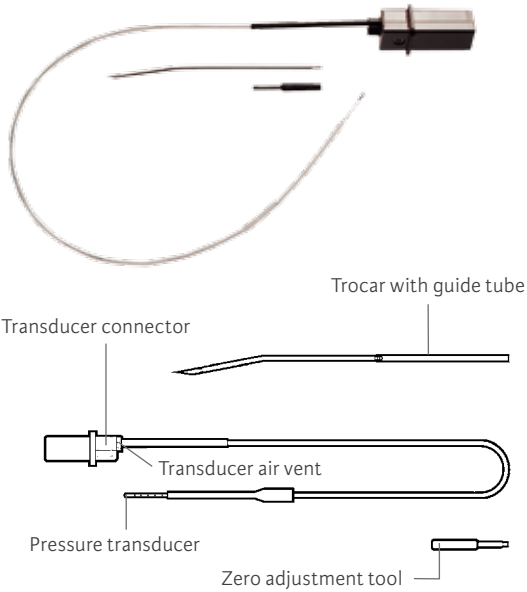
KIT COMPONENTS

Camino Bolt	With compression cap and turning wings
1 transducer tipped catheter	4Fr / 1.35 mm (transducer at the distal tip)
Thermistor	Approx. 1 cm from the tip of the catheter
Spacer	To adjust seating depth of the bolt
Catheter depth markings guide	1 to 10 cm
Red depth indicator	To check the position
Thermistor connector	To connect the temperature catheter
Twist drill bit (with safety stop)	8 Fr/2.7 mm
Stylet	To clear the passage
Hex wrench	To adjust the safety stop
Zero adjustment tool	To adjust the transducer to zero
Packaging	10 per cases or individually - Sterile

Catalog No. 1104BT



Post Craniotomy Subdural Pressure Monitoring Kit



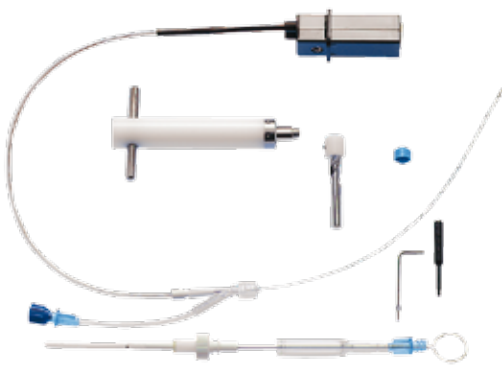
Placement: Subdural space post craniotomy

KIT COMPONENTS

1 transducer tipped catheter	4Fr/ 1.35 mm (transducer at the distal tip)
Trocar with guide tube	9,5Fr /3,17 mm
Depth markings	1 to 10 cm markings to gauge the insertion depth
Zero adjustment tool	To adjust the transducer to zero
Packaging	10 per cases or individually - Sterile

Catalog No. 1104G

Ventricular Drainage and Pressure Monitoring Kit with Bolt

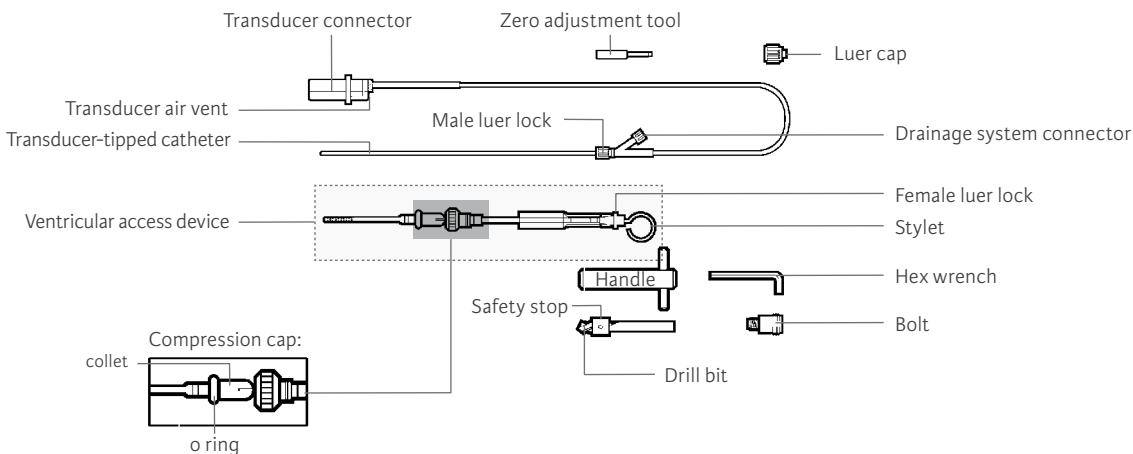


Placement: Ventricles

KIT COMPONENTS

1 transducer tipped catheter	4Fr/ 1.35 mm (transducer at the distal tip)
Ventricular Catheter with bolt	12Fr/ 4 mm
• Outside Diameter	9Fr / 3 mm
• Inside Diameter	4.5Fr / 1.5 mm
• Length	6-8 cm (adjustable)
Female luer lock	To connect drainage system
Handle	To insert and remove the bolt
Twist drill bit (with safety stop)	21 Fr/7 mm
Hex wrench	To adjust the safety stop
Zero adjustment tool	To adjust the transducer to zero
Packaging	10 per cases or individually - Sterile

Catalog No. 1104H



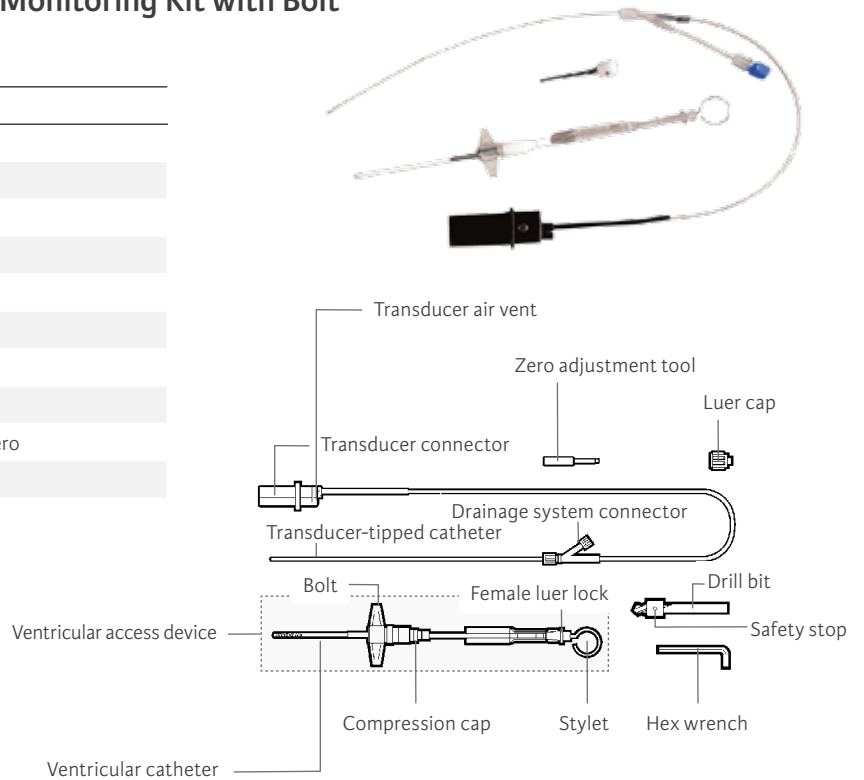
Micro Ventricular Drainage and Pressure Monitoring Kit with Bolt

Placement: Ventricles

KIT COMPONENTS

1 transducer tipped catheter	4Fr / 1.35 mm
Ventricular Catheter with bolt	12Fr / 4mm
• Outside Diameter	11Fr / 3.7mm
• Inside Diameter	7 Fr / 2.2mm
• Length	6-8cm (adjustable)
Twist drill bit (with safety stop)	16Fr / 5.3mm
Hex wrench	To adjust the safety stop
Female luer lock	To connect drainage system
Zero adjustment tool	To adjust the transducer to zero
Packaging	10 per cases or individually

Catalog No. 1104HM



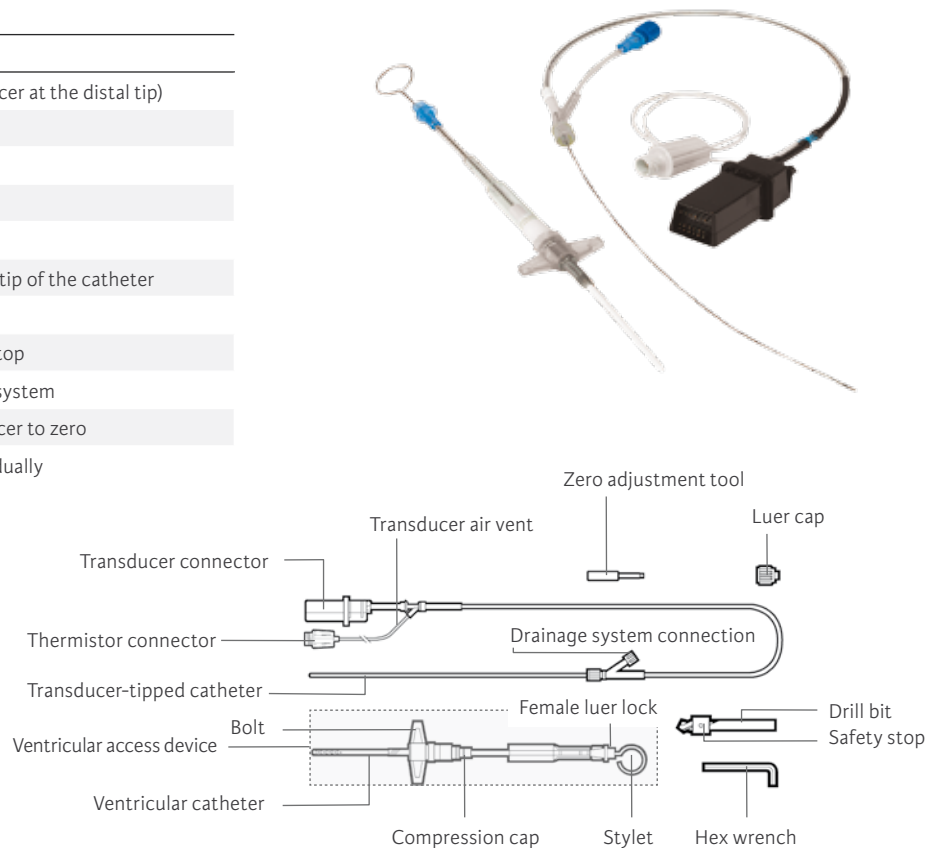
Micro Ventricular Drainage, Pressure and Temperature Monitoring Kit with Bolt

Placement: Ventricles

KIT COMPONENTS

1 transducer tipped catheter	4Fr/ 1.35 mm (transducer at the distal tip)
Ventricular Catheter with bolt	12Fr / 4mm
• Outside Diameter	11Fr / 3.7mm
• Inside Diameter	7 Fr / 2.2mm
• Length	6-8cm (adjustable)
Termistor connector	approx 1 cm from the tip of the catheter
Twist drill bit (with safety stop)	16Fr / 5.3mm
Hex wrench	To adjust the safety stop
Female luer lock	To connect drainage system
Zero adjustment tool	To adjust the transducer to zero
Packaging	10 per cases or individually

Catalog No. 1104HMT



Intracranial Pressure Monitoring Catheter Kit with Licox® Bolt Fitting

Model 1104L is used to measure intracranial pressure through a Licox® Introducer Kit.

Placement: Parenchyma

KIT COMPONENTS

1 transducer tipped catheter with Licox bolt fitting 4Fr/1.35 mm (transducer at the distal tip)

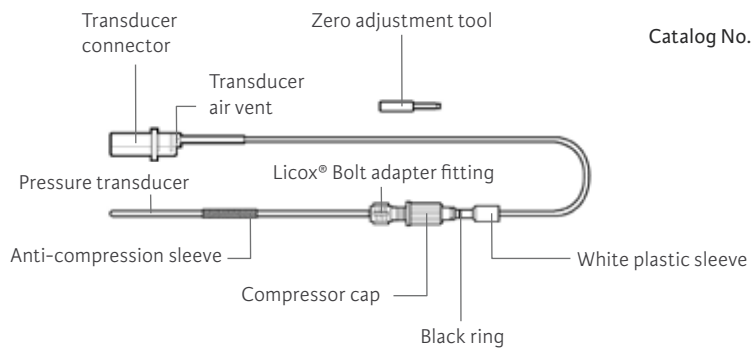
Anti-compression sleeve

Twist drill bit (with safety stop) 16Fr/5mm

Zero adjustment tool To adjust the transducer to zero

Packaging 10 per cases or individually - sterile

To be used in conjunction with Licox® Introducer Kits ref IM2_EU, IM3_EU or IP2



Catalog No. 1104L

Cranial Access Kit (without Prep Solutions)

The Cranial Access Kit is a convenient pre-packaged sterile set containing all necessary components for burr-hole entry into the cranium. This kit does not include prep solutions.

- Sterile, packaged 5 per case or individually

Catalog No.INS5HND

Components

Disposable razor	Adson forcep-serrated
12 ml safety syringes (2)	Adson forceps, 1 x 2 teeth
18 G x 1-1/2" needles (2)	Needle holder
25 G x 5/8" needle	2 oz medicine cup (2)
18 G x 3-1/2" spinal needle	Self-retaining retractor
12 G x 5-1/2" ventricular needle	Scissors
15" x 15" fenestrated drape with barrier	5.31 mm drill bit with depth guard
18" x 26" white absorbent towels (3)	3-0 nylon suture (packaged outside kit)
4" x 4" gauze sponges (10)	Marker
Hand drill	Flexible ruler
#11 scalpel with handle	Hex wrench for depth guard adjustment
#15 scalpel with handle	



Hand Drill

Hand drill (bit not included) intended for single-use in neurosurgical procedures.

- Sterile, packaged individually

Catalog No. INS030



Drill Bits



SP0075

SP0087

SP0088

Drill bits intended for single-use in neurosurgical procedures.

- Sterile, packaged individually

Components	Catalog #
Single drill bit with collar, 5/32" (3.97 mm)	SP0075
Single drill bit with collar, 13/64" (5.31 mm)	SP0087
Single drill bit with collar, 1/4" (6.35 mm)	SP0088

Note: When using the Camino® or Ventrix® Monitoring Kits, please use the drill bit provided with that kit.

Accessories and Cables for CAMo1 & MPM1

Components	Catalog #
Technical Manual for monitor CAMo1/MPM1	MPM1TM
MPM1 NTSC Format Inservice Video CAMo1/MPM1, 1104BT, 1104HMT	MPM1VIDEO
Pre-Amp Transducer Cable for CAMo1/MPM1	PAC1

Components	Catalog #
Interface Cable Patient monitor interface Cable for monitor CAMo1/MPM1. Connects CAMo1/MPM1 to bedside patient monitor used with ICP, AP and ICT adapter Cables	PMIOMP1
Monitor Adapter Cable Intracranial pressure, CAMo1/MPM1 to bedside monitor. Refer to Cable Matrix on pages 12-13	ICPXX
Monitor Adapter Cable Arterial pressure, CAMo1/MPM1 to bedside monitor. Refer to Cable Matrix on pages 12-13	APXX
Monitor Adapter Cable Intracranial temperature, CAMo1/MPM1 to bedside monitor. Refer to Cable Matrix on pages 12-13	ICTXX

Cable Matrix for CAMo1 & MPM1/SPM1 Monitors

Bedside Monitor Brand	Model Number or Designator	IBP* Module	ICP #	ICT #	AP #
Advanced Medical System	IM-76		ICP26		
Agilent (see Hewlett Packard)					
Air Shields (Narco)	AS-100, AS-441	141	ICP22		
American Optical/Picker	1131		ICP35		
Beckman	98xx Series		ICP21		
Care	5000C		ICP25		
Cobe	CPC-043-650-000		ICP38		
Corometrics	111, 112, 504, 515A		ICP23		
Corometrics	115, 116, 118, 151, 556 Fetal (Nicolay)		ICP56		
Burdick	M500 Series, M200 Series, 560/565/575 Mainframe	M 544, PA-106	ICP22		
Criticare	Vital Sign 1100		ICP80	Direct connection	
Critikon	Dinamap 87xx, 3000	NPS	ICP80	Direct connection	
Datascope	870, 2xxx, Passport		ICP46	Direct connection	
Datascope	Point of View	Point of View adapts with Datascope part# 0012- 00-0866	ICP46	Direct connection	
Datex (Datex-Ohmeda)	AS/x, CS/x	M Series (ie M-ESTP)	ICP22	Direct connection	AP05
Datex (Datex-Ohmeda)	Cardiicap, CC, CM, CCM		ICP22	Direct connection	AP05
Datex (Datex-Ohmeda)	CS/5		ICP60		
Drager	Vitalert 2000		ICP80		
Drager (Siemens)	Delta (Hemopod, Hemomed)	Hemopod may require 7 to 10 inch pin adapter. Siemens part #3368383E530U	ICP16	Direct connection using adapter Siemens part #5198333E530U	AP07
E for M	IM, OM, VR	PM2B, M2100, M2200	ICP35		
Fukuda-Denshi (12-pin)	Dynascope Series		ICP55	Direct connection	
General Electric (Marquette)	Solar 8000, TramRac4A	451 & 851	ICP60	ICT01	AP08
General Electric (Marquette)	Dash 3000, 4000	451N	ICP60	ICT01	AP08
General Electric (Marquette)	GE Solar 8000, TramRac4A	TRAM 100-850 A & SL	ICP60	ICT01	AP06
General Electric (Marquette)	3100 Series		ICP46		
Gould	IM1000, IM1014, IM1024, SM7084, 1076-1		ICP25		
Gould	13-4615-50		ICP53		
Grass	7P1, 7P122		ICP46		
Invivo Research Labs	Ohmeda 1400 Series Omni-Trak		ICP80		
Ivy Bio-Med	700, 400 Series		ICP80		
Kontron (Roche)	2106, 7320, 7324, K2000, 4000, 72xx		ICP46		
Litton (Hellige, Datamedix)	SMK, SMS, SMV		ICP26		
Medical Data Electronics	Escort, MPM1 Series		ICP80	Direct connection	
Medical Data Electronics	Escort, MPM1 Series with HP Connector		ICP39	Direct connection	
Mennon Medical	Horizon 2000, Envoy		ICP80	Direct connection	
Nihon Kohden	HP and Lifescope Series BSM-8000 Series, BSM-5105 K		ICP33	Direct connection	
Nihon Kohden	BSM-4100 Series	In addition to ICP-33, will need N.K. adapter JP-910P	ICP33	Will need N.K. adapter JT-900P	
Nihon Kohden	BSM-5000 Series	In addition to ICP-33, will need N.K. adapter JP-910P	ICP33	Direct connection	
Nippon Colin	BP408		ICP46		

Cable Matrix for CAM01 & MPM1/SPM1 Monitors

Bedside Monitor Brand	Model Number or Designator	IBP* Module	ICP #	ICT #	AP #
Philips Intellivue			ICP39	ICT-39	AP39
Philips MMS (transport)	M3001A		ICP81		
(Philips) Hewlett Packard (HP)	Agilent		ICP39		
(Philips) Hewlett Packard (HP)	78201, 78901, 78905	78205A/B (Twinax)	ICP14	Direct connection	AP39
(Philips) Hewlett Packard (HP)	7835x, 83xxx, 66s		ICP39	ICT39	
(Philips) Hewlett Packard (HP)	7853x Monitor Terminal		ICP39	ICT39	AP39
(Philips) Hewlett Packard (HP)	Merlin Series, Viridia	M1006A	ICP39	ICT39	AP39
(Philips) Hewlett Packard (HP)	Merlin Series, Viridia	M1006B	ICP39	ICT39	Direct connection
Physio Control	VSM Series		ICP34	Not compatible	
Pioneer (American Optical)	1131B		ICP35		
PPG Biomedical (Honeywell)	Midas Series		ICP27		
Protocol	Propaq Series		ICP80		
Puritan-Bennett	PB 240, PB 245		ICP22		
Richard Weiss	NeuroMonitor		ICP42		
Roche (Kontron)	108, 127, 128, 222, 224-1		ICP46		
Sandborn (Same as HP)			ICP39		
Siemens	6000, 7000, 8000, 9000 Series (Hemopod and Hemomed)	Hemopod may require 7 to 10 pin adapter Siemens Part # 3368383E530U	ICP16	Direct connection using adapter Seimens Part #5198333E530U	AP07
Siemens	Sirecust 400, 630, 700 Series 960,961, 1241, 1280, 1281		ICP16	Direct connection	AP16
Simonsen & Weil (S&W)	System 8000		ICP22		
SMEC	1300M		ICP46		
Spacelabs	400, 500, 600, 90000 Series, Alpha-PC	Command Module adapts with Spacelabs Part #700-0028-00	ICP19	Direct connection command module adapts with Spacelabs Part #700-0031-00	Depends on module version - Direct connection or adapts with AP19
Tektronix	400 Series		ICP80		
Vickers (also see Air Shields)	Athena		ICP22		
Vitatek	500 Series		ICP80		

*IBP: Invasive Blood Pressure

Licox® CMP Oxygen and Temperature Monitor

Oxygen Partial Pressure Monitor with digital display.
Displays Oxygen Partial Pressure and Temperature.
Connects to bedside monitor with use of LML1
Licox® Monitor Link Kit (sold separately).

- Packaged individually

Catalog No. AC3.1_EU



Components	Catalog #
Licox® CMP monitor	AC3
PMO Probe cable. Connect to "Y" Cable	PMOCAB
"Y" Cable to oxygen and temperature connection on CMP monitor	BC10PMO
Licox® CMP monitor Accessory Kit Includes:	BC10
Licox® CMP monitor mains power supply	A10.EU
Monitor Cable, oxygen (blue) Attaches oxygen probe to CMP monitor	BC10PA
Monitor cable, temperature (green) Attaches temperature probe to CMP monitor	BC10TA
Extension Cable, oxygen Autoclavable	BC10PV
Extension Cable, temperature Autoclavable	BC10TV
Test set	BC10R
Test adaptor for patient safety check	BC10S
Interface Cable to order regarding your bedside monitor	NL950MCXX

Connects AC3.1_EU to bedside monitor. Refer to Cable matrix page 24 and 25 (need to be ordered separately)



Licox® Monitor Link with CMP Monitor Cable

Required to attach Licox® CMP monitor to bedside monitor

Catalog No. LML1

LML1 Components	LML1
Licox® Monitor Link Device D11 and NL950MCXX Cables required.	D1
Licox® Monitor Link Cable To connect D1 to CMP monitor	D11
Interface Cable to order separately regarding your bedside monitor	NL950MCXX
To connect D1 to bedside monitor. (Refer to Licox®/Ventrix® Cable Matrix page 24)	



Licox® PMO Box

Licox® PMO Box is an interface device between Licox® PMO combined oxygen and temperature catheter, CC1P1, and bedside monitor.

Catalog No. PMOBOX

Components	Catalog #
Licox® Interface Device	PMOBOX
Test Adaptor for Functional test	PMOFC
Test Adaptor for Patient Safety test	PMOPST
PMO Probe Cable	PMOCAB
Interface Cable to order separately regarding your bedside monitor	NL950MCXX
Connects PMOBOX to bedside monitor. (Refer to Licox®/Ventrix® Cable matrix, page 25)	

CMP Monitor Mains Power Supply

Components	Catalog #
European Plug	A1o.EU
United Kingdom Plug	A1o.UK

Probes only

Oxygen Probe

Probe's tube Diameter at tip	0.6 mm
Probe's tube Length	150 mm
Oxygen sensitive area	13 mm ²
Distance from tip to sensitive area	5 mm
Introducer kit compatibility	IM1/ IM2_EU/IM3_EU
Storage condition	Between 2° and 10°C

- Supplied sterile

Catalog No. CC1SB



Temperature Probe

Probe's tube Diameter at tip	0.8 mm
Probe's tube Length	126 mm
Probe Type	Thermocouple Type K
Introducer kit compatibility	IM3_EU

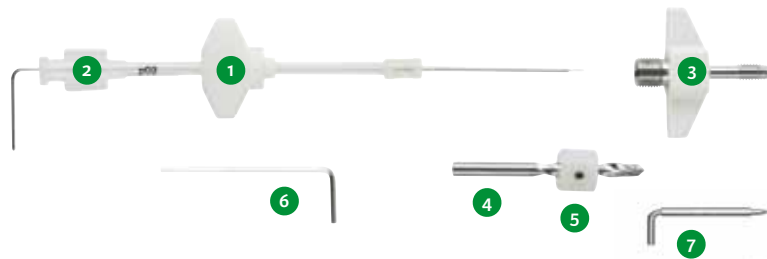
- Supplied sterile

Catalog No. C8B



Introducer Kits only

Introducer kit, Single Lumen



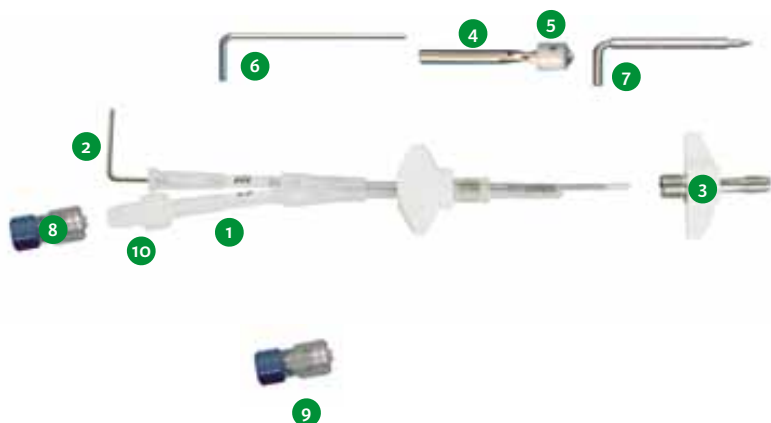
The kit includes:

- 1 Compression cap
- 2 Introducer
- 3 Bolt
- 4 \varnothing 3.8 mm twist drill bit
- 5 Adjustable drill safety stop with set screw
- 6 Hex wrench
- 7 Stylet

- Supplied sterile

Catalog No. IM1

Introducer kit, Double Lumen



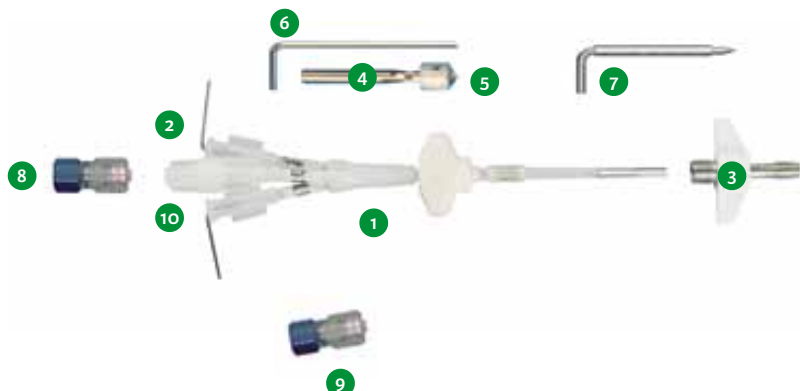
The kit includes:

- 1 Dual channel introducer with luer connectors
- 2 Guide wire
- 3 Bolt
- 4 \varnothing 5.3 mm twist drill bit
- 5 Adjustable drill safety stop with set screw
- 6 Hex wrench
- 7 Stylet
- 8 Compression fitting for Ventrix® NL950SD ICP Catheter
- 9 Compression fitting for Codman® ICP Microsensor® Catheter
- 10 Removable ICP lumen obturator

- Supplied sterile

Catalog No. IM2_EU

Introducer kit, Triple Lumen



The kit includes:

- 1 Triple channel introducer with luer connectors
- 2 Guide wires
- 3 Bolt
- 4 \varnothing 5.3 mm twist drill bit
- 5 Adjustable drill safety stop with set screw
- 6 Hex wrench
- 7 Stylet
- 8 Compression fitting for Ventrix® NL950SD ICP Catheter
- 9 Compression fitting for Codman® ICP Microsensor® Catheter
- 10 Removable ICP lumen obturator

- Supplied sterile

Catalog No. IM3_EU

Complete Probe Kits

Licox® Complete Brain Probe Kit, Single Lumen

The kit includes:

Oxygen probe	CC1SB
Single Lumen Introducer	IM1

- Storage condition: between 2° and 10°C
- Supplied sterile

Catalog No. IM1S



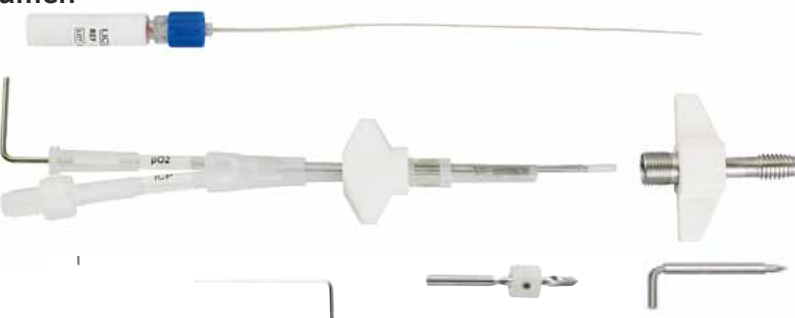
Licox® Complete Brain Probe Kit, Double Lumen

The kit includes:

Oxygen probe	CC1SB
Double Lumen Introducer	IM2_EU

- Storage condition: between 2° and 10°C
- Supplied sterile

Catalog No. IM2S_EU



Licox® Complete Brain Probe Kit, Triple Lumen

The kit includes:

Oxygen probe	CC1SB
Triple Lumen Introducer	IM3_EU

- Storage condition: between 2° and 10°C
- Supplied sterile

Catalog No. IM3S_EU



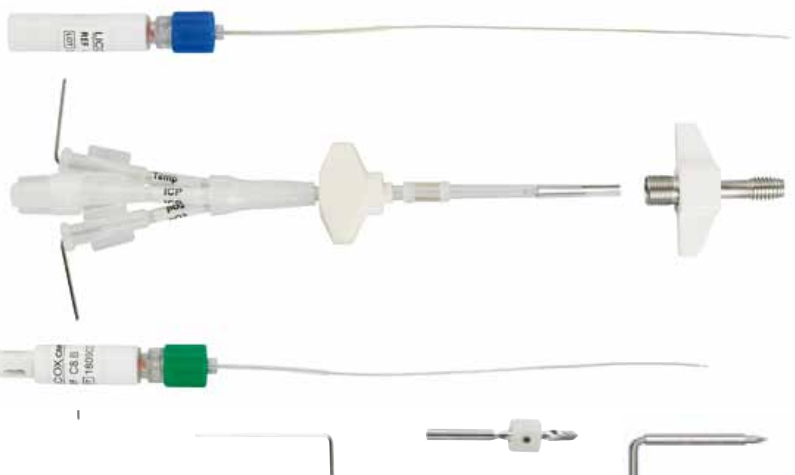
Licox® Complete Brain Probe Kit with Temperature Probe, Triple Lumen

The kit includes:

Oxygen probe	CC1SB
Temperature probe	C8B
Triple Lumen Introducer	IM3_EU

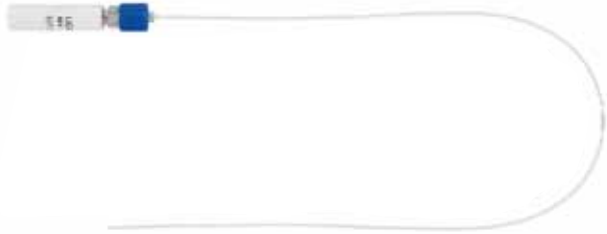
- Storage condition: between 2° and 10°C
- Supplied sterile

Catalog No. IM3ST_EU



Licox Probe and Kit

Oxygen Probe for Tunneling

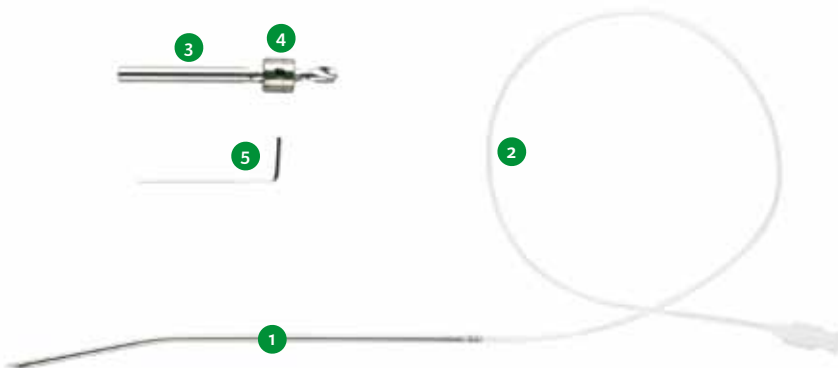


Probe's tube Diameter at tip	0.8 mm
Probe's tube Length	460 mm
Oxygen sensitive area	18 mm ²
Distance from tip to sensitive area	5mm
Compatibility with	VK51

- Storage condition: between 2° and 10°C
- Supplied sterile

Catalog No. CC1G2

Parenteral Probe Guide for Tunneling



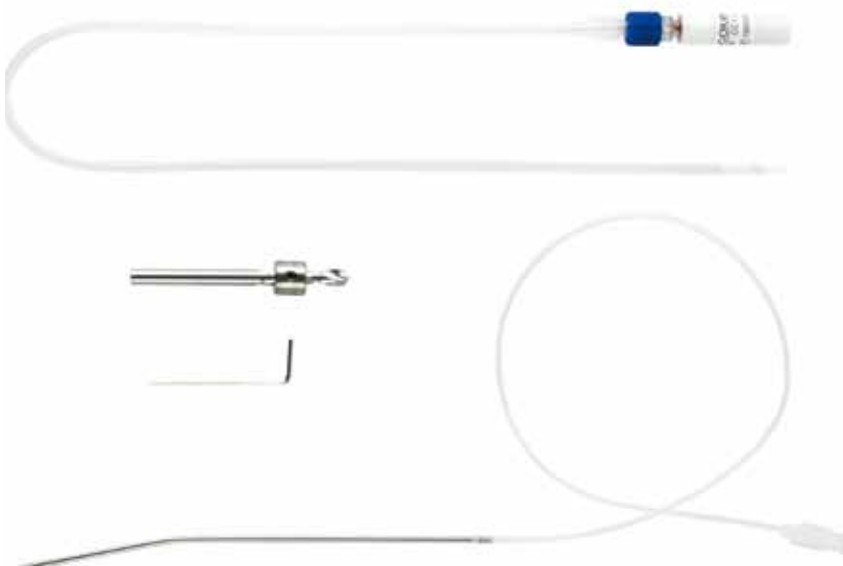
The kit includes:

- 1 Strong needle, 150 mm, diam. 2.5 mm
- 2 Probe guiding tube, 415 mm, diam. 2 mm
- 3 ø 5.3 mm twist drill bit
- 4 Adjustable drill safety stop with set screw
- 5 Hex wrench

- Supplied sterile

Catalog No. VK51

Complete Tunneling Probe Kit



The kit includes:

Oxygen Probe	CC1G2
Parenteral Probe Guide for Tunneling	VK51

- Storage condition: between 2° and 10°C
- Supplied sterile

Catalog No. IT1

Probe only and Introducer

Licox® Combined Oxygen and Temperature Probe

Probe's tube Diameter at probe tip	0.65mm
Probe's tube Length	460 mm
Oxygen sensitive area	18 mm ²
Distance from tip to sensitive area	5mm
Compatibility with	IP1/IP2/VK52



- Storage condition: between 2° and 10°C
- Supplied sterile

Catalog No. CC1P1

Licox® Single Lumen Introducer Kit (PMO Bolt only)

The kit includes:

- Guide wire
- Bolt with single lumen introducer
- Drill bit diam. 3.8 mm
- Adjustable drill stop with set screw
- Hex wrench for adjustment of drill stop
- Stylet



Supplied sterile

Catalog No. IP1

Licox® Double Lumen Introducer Kit (PMO Bolt only)

The kit includes:

- Bolt with double lumen introducer for Licox® PMO combined oxygen and temperature probe and Camino® ICP catheter 1104L or Ventrix® ICP catheter NL 950SD.
- Guide wire
- Compression fitting for ICP catheter
- Drill bit diam. 6.3 mm
- Adjustable drill stop with set screw
- Hex wrench for adjustment of drill stop
- Stylet



Supplied sterile

Catalog No. IP2

Licox® Complete Brain Probe Kit, Single Lumen



The kit includes:

Combined Oxygen and Temperature Probe	CC1P1
Single Lumen Introducer	IP1

- Probe must be stored between 2°C and 10°C.
- Supplied sterile

Catalog No. IP1P

Licox® Complete Brain Probe Kit, Double Lumen



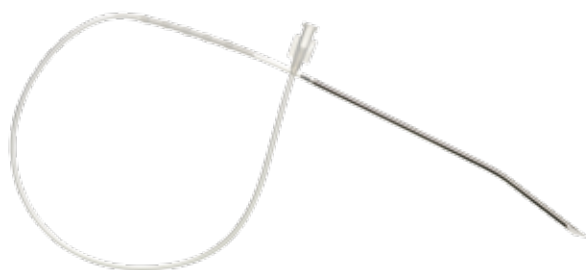
The kit includes:

Combined Oxygen and Temperature Probe	CC1P1
Double Lumen Introducer	IP2

- Probe must be stored between 2°C and 10°C.
- Supplied sterile

Catalog No. IP2P

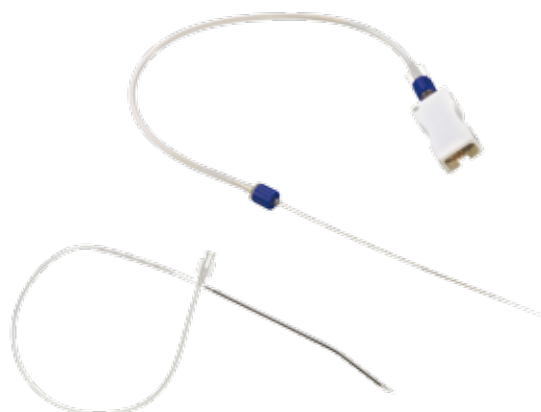
Licox® Parenteral Probe Guide



- Strong needle: Length 150 mm, diam. 3.2 mm
- Probe guiding tube: Length 415 mm, diam. 2.8 mm with suture rings diam. 4 mm
- Drill bit 5.3 mm
- Adjustable drill stop with set screw
- Hex wrench for adjustment of the drill stop
- Supplied sterile

Catalog No. VK52

Licox® Complete Brain Tunneling Probe Kit



The kit includes:

Combined Oxygen and Temperature Probe	CC1P1
Parenteral Probe Guide	VK52

- Probe must be stored between 2°C and 10°C.
- Supplied sterile

Catalog No. IT2_EU

Measuring Intracranial Pressure with Licox® Brain Probe Kits

Components	Catalog #
Camino® Intracranial Pressure Monitoring Catheter with Integrated Licox® Introducer Fitting Used with all Camino® monitors CAMo1, MPM1 and SPM1	1104L
Ventrix® Subdural Tunneling Pressure Monitoring Kit Used with Ventrix® monitor NL950100	NL950SD



Cable Matrix for Licox®/Ventrix® Monitors

Bedside Monitor Brand	Model Number or Designator	IBP* Module	Cable Catalog
Advanced Medical System	IM-76		NL950MC14
Air Shields (Narco)	AS-100, AS-441	141	NL950MC12
American Optical/Picker	1131		NL950MC05
Burdick	M500 Series, M200 560/565/575 Mainframe	M544, PA-106	NL950MC12
Corometrics	115, 116, 118, 151, 556 Fetal (Nicolay)		NL950MC17
Criticare	Vital Sign 1100		NL950MC04
Critikon	Dinamap 87xx 3000, Plus 3000	NPS	NL950MC04
Datamedix (Litton)	PR-5/18/18A ST-214/419/521 Guardian		NL950MC18
Datex (Datex-Ohmeda)	AS/x, CS/x	May not be compatible with M-Series modules	NL950MC12
Datex (Datex-Ohmeda)	Cardiicap, CC, CM		NL950MC12
Drager Vitalert	2000		NL950MC04
Drager (Siemens)	Delta (Hemopod), Gamma	Not compatible with Hemopod	NL950MC06
E for M	IM, OM, VR		NL950MC05
General Electric	Solar 8000 - Tram Rac		NL950MC15
Hewlett Packard (Philips)	78201, 78901, 78905		NL950MC07
Hewlett Packard (Philips)	7835x, 83xxx		NL950MC01
Hewlett Packard (Philips)	7853x Monitor Terminal		NL950MC01
Hewlett Packard (Philips)	Merlin Series	M1006B / Not compatible with M1006A	NL950MC01
Invivo Research Labs	Ohmeda 1400 Series Omni-Trak		NL950MC04
Ivy Bio-Med	701		NL950MC04
Kontron	Supermon, Minimon, K2000, 4000, 2xx		NL950MC13
Litton (Hellige)	SMU Series		NL950MC16
Litton (Hellige, Datamedix)	SMK, SMS, SMV		NL950MC14
Marquette	Tramscope (100 thru 800 Series)		NL950MC15
Medical Data Electronics	Escort, MPM Series		NL950MC04
Mennon	Horizon 2000		NL950MC04
Nihon Kohden	HP & Lifescope Series BSM-8000 Series		NL950MC09
Physio Control	VSM Series		NL950MC11
PPG (Honeywell)	SMU Series		NL950MC16
Protocol	Propaq Series		NL950MC04
Puritan-Bennett	PB 240, PB 245		NL950MC12
Sandborn (same as Hewlett Packard)			NL950MC01
Siemens	6000, 7000, 8000, 9000 Series (Hemopod and Hemomed)	Not compatible with Hemopod	NL950MC06
Siemens	Sirecust 400, 630, 700 Series, 960, 961, 1241, 1280, 1281	Not compatible with Sirecust 401-1	NL950MC06
Simonsen & Weil (S & W)	System 8000		NL950MC12
Spacelabs	400, 500, 600, 9000 Series, Alpha-PC, Ultraview SL 2800	Command Module adapts with 700-0028-00	NL950MC04
Tektronix	400 Series		NL950MC04
Vickers (also see Air Shields)	Athena		NL950MC12
Vitatek	500 Series		NL950MC04

Cable Matrix for Licox® PMO Box

Do not connect the LICOX® PMO.BOX to patient bedside monitors not classified CF according IEC 60601-1 or equivalent.

The LICOX® PMO.BOX may only be used with the following patient bedside monitors:

Manufacturer	Model	IBP* Module	REF monitor cable NL950-MC-xx
Criticare	Vital SiQn 1100		NL950MC04
Criticon	Dinamap 87xx 3000, Plus 3000	NPS	NL950MC04
Datex, Datex-Ohmeda	CS/3, CS/5	CS/x	NL950MC12
Drager	Vitalert 2000		NL950MC04
HP / Phillips	Merlin / M1094	M1006 A, M1006B	NL950MC01
HP / Agilent	CMS 2001		NL950MC01
Invivo Research	Ohmeda 1400 Series Omni-Trak		NL950MC04
GE /Marquette	Dash 3000		NL950MC15
GE /Marquette	Solar 8000	Tram 450SL	NL950MC15
GE /Marquette	Solar 8000	Tram rac4A	NL950MC03
Phillips	Intellivue	M3001	NL950MC01
Phillips	7000er serie	M1006 A	NL950MC01
Phillips	MP70	M3001A	NL950MC01
Siemens	SC7000, SC9000 XL	Hemomed	NL950MC06
Siemens	Sirecust 1261 / Sirecust 403R / Sirecust 981		NL950MC06
Spacelabs	400,500,600, 1700, 90000 Series, Alpha-PC	Command Module adapts w/ 700-0028-00	NL950MC04

*IBP: Invasive Blood Pressure



Products
References

A

Accessories 10, 11
 Accessories and Cables for CAMO1 & MPM1..... 11
 Accessories and Cables for SPM1 11
 APXX 11

B

Bolt kit 17

C

Cable Matrix for CAMO1 & MPM1/SPM1 Monitors..... 12, 13
 Cable Matrix for Licox® PMO Box 25
 Cable Matrix for Licox®/Ventrix® Monitors 23, 24
 Camino® Advanced Monitor 5
 Camino® Monitors 5
 Camino® Pressure Monitoring Catheter Kits..... 6, 7, 8, 9
 CMP Monitor Power Supply 22
 Complete Introducer Probe Kit..... 18
 Complete Introducer Probe Kit with Temperature Probe 18
 Complete PMO Double Lumen Kit..... 21
 Complete PMO Single Lumen Kit: Complete PMO Kits..... 21
 Complete PMO Tunneling Kit 21
 Complete Tunneling Probe Kit..... 19
 Cranial Access Kit 10

D

Double Lumen 18
 Double Lumen introducer 17
 Drill Bits..... 10

H

Hand Drill..... 10

I

Intracranial Pressure Monitoring Catheter Kit 9
 Intracranial Pressure Monitoring Kit 6
 Intracranial Pressure/Temperature Monitoring Kit 6

L

LICOX® Brain Tissue Oxygen Monitoring System..... 14, 15, 18, 19, 20, 21, 22, 23, 24
 LICOX® Brain Tissue Oxygen Monitoring System: IMC separate probes 16, 17
 LICOX® CMP Oxygen and Temperature Monitor 14
 LICOX® Monitor Link with CMP Monitor Cable 15
 LICOX® PMO Box..... 15
 LICOX® PMO Combined Oxygen and Temperature Catheter 20
 LICOX®/Ventrix® Accessories and Cables 23, 24

M

Measuring Intracranial Pressure with LICOX® kits..... 22
 Micro Ventricular Bolt Pressure Monitoring Kit 8
 Micro ventricular drainage and pressure monitoring Kit with bolt 8

N

Neuromonitoring Accessories & Cables 12, 13

O

Oxygen Probe..... 16, 19

P

Parenteral Probe Guide for Tunneling..... 19
 PMO bolt kit with Double Lumen introducer..... 20
 PMO bolt kit with Single Lumen introducer: PMO Bolt only 20
 PMO Tunneling Needle 21
 Post Craniotomy Subdural Pressure Monitoring Kit..... 7
 Power Cables..... 5

S

Single Lumen 18
 Single Lumen introducer 17
 Single-Parameter Monitor 5

T

Temperature Probe 16
 Triple Lumen..... 18
 Triple Lumen introducer 17

V

Ventricular Bolt Pressure Monitoring Kit 7

#

1104B.....	6
1104BT.....	6
1104G.....	7
1104H.....	7
1104HM.....	8
1104HMT.....	8
1104L.....	9, 22

A

A10.EU.....	14, 22
A10.UK.....	22
AC3.....	14
AC3.1_EU.....	14
APXX.....	11, 12, 13

B

BC1o.....	14
BC1oPA.....	14
BC1oPMO.....	14
BC1oPV.....	14
BC1oR.....	14
BC1oS.....	14
BC1oTA.....	14
BC1oTV.....	14

C

C8B.....	16, 18
CAMo1.....	5
CC1G2.....	19
CC1P1.....	20
CC1SB.....	16, 18

D

D1.....	15
D11.....	15

I

ICPXX.....	11, 12, 13
ICTXX.....	11, 12, 13
IM1.....	16, 17, 18
IM1S.....	18
IM2_EU.....	9, 16, 17, 18
IM2S.....	18
IM3.....	17
IM3_EU.....	9, 16, 17, 18
IM3S_EU.....	18
IM3ST_EU.....	18
INS5HND.....	10
INSo3o.....	10
IP1.....	20
IP1P.....	21
IP2.....	20
IP2P.....	21
IT1.....	19
IT2.....	21

L

LML1.....	15
-----------	----

M

MPM.....	12, 13
MPM1TM.....	11
MPM1VIDEO.....	11

N

NL95oMC01.....	23, 24
NL95oMC03.....	24
NL95oMC04.....	23, 24
NL95oMC05.....	23
NL95oMC06.....	23, 24
NL95oMC07.....	23
NL95oMC09.....	23
NL95oMC11.....	23
NL95oMC12.....	23, 24
NL95oMC13.....	23
NL95oMC14.....	23
NL95oMC15.....	23, 24
NL95oMC16.....	23
NL95oMC17.....	23
NL95oMC18.....	23
NL95oMCxx.....	24
NL95oMCXX.....	14, 15, 24
NL95oSD.....	22

P

PAC1.....	5, 11
PAC2.....	5, 11
PMIOMP1.....	5, 11
PMIOSPM.....	5, 11
PMOBOX.....	15
PMOCAB.....	14, 15
PMOFC.....	15
PMOPST.....	15

S

SP0075.....	11
SP0087.....	11
SP0088.....	11
SPM1.....	5, 12, 13

V

VK51.....	19
VK52.....	20, 21

INTEGRA™

LIMIT UNCERTAINTY



Distributed by

Integra LifeSciences Services (France) SAS
Sales & Marketing EMEA
Immeuble Séquoia 2 • 97 allée Alexandre Borodine
Parc technologique de la Porte des Alpes
69800 Saint Priest • FRANCE
+33 (0)4 37 47 59 00 phone • +33 (0)4 37 47 59 99 fax
emea.info@integralife.com • integralife.com

Customer Services

France / International: +33 (0) 437 47 59 10 • +33 (0) 437 47 59 29 (Fax) • custsvcf@integralife.com
United Kingdom: +44 (0) 1264 345 780 • +44 (0) 1264 363 782 (Fax) • custsvcuk@integralife.com
Germany: +49 (0) 2102 5535 6200 • +49 (0) 2102 5536 636 (Fax) • custsvcgermany@integralife.com
Benelux: +32 (0)2 257 4130 • +32 (0)2 253 2466 (Fax) • custsvcbenelux@integralife.com
Switzerland: +41 (0)2 27 21 23 30 • +41 (0)2 27 21 23 99 (Fax) • custsvcsuisse@integralife.com

INTEGRA™

LIMIT UNCERTAINTY



Availability of these products might vary from a given country or region to another, as a result of specific local regulatory approval or clearance requirements for sale in such country or region. All text and diagrams contained in this catalog are intended as guidelines and are for illustrative purposes only.

Information included in this catalog is not intended to replace the Directions for Use packaged with each Integra product. Always refer to the appropriate Direction for Use for complete clinical instructions. Non contractual document. The manufacturer reserves the right, without prior notice, to modify the products in order to improve their quality. **WARNING:** Applicable laws restrict these products to sale by or on the order of a physician. Microsensor and Codman are registered trademarks of their owners. Camino, Licox, Ventrix, Integra and the Integra logo are trademarks or registered trademarks of Integra LifeSciences Corporation or its subsidiaries. All the references numbers mentioned on this document are CE marked according to European council directive 93/42/EEC on medical devices and its relatives, unless specifically identified as "NOT CE MARKED".