



SURGIMOTOR™



Sternum Saws



14-6705N



14-6714N



14-6715N



14-6716N



14-6700



14-6710

SURGIMOTOR™

Our innovative new SURGIMOTOR™ primary sternum saws with the latest Li-Ion battery technology feature a powerful engine integrated along with their electronics into the battery packs, which will be removed during sterilization.

Therefore an efficient cleaning and lubrication of the machines and their mechanics become possible and the lifetime can be increased. The compact size and low weight provide for comfortable handling. The sternum guard can be turned in 4 positions with 90° increments without tools.

SURGIMOTOR™ Sternum Saws with Li-Ion Power Technology

| Art.-No. | Description | |
|----------|--------------------------------------|--|
| 14-6700 | Sternum Saw reciprocating | |
| | Dimensions (without attachment) | 217 x 93 x 197 mm |
| | Weight with PowerPack | 1750 g |
| | Continuous adjustable rotation speed | 0 – 6000 rpm (Step I), 0 – 6500 rpm (Step II) |
| 14-6710 | Sternum Saw Redo oscillating | |
| | Dimensions (without attachment) | 163 x 93 x 202 mm |
| | Weight with PowerPack | 1760 g |
| | Continuous adjustable rotation speed | 0 – 9000 rpm (Step I), 0 – 11000 rpm (Step II) |

Saw Blades for 14-6700

non-sterile

| Art.-No. | Description |
|----------|---------------------------------------|
| 14-6705N | Sternum Saw Blade, 32 x 1.05 mm (0.8) |

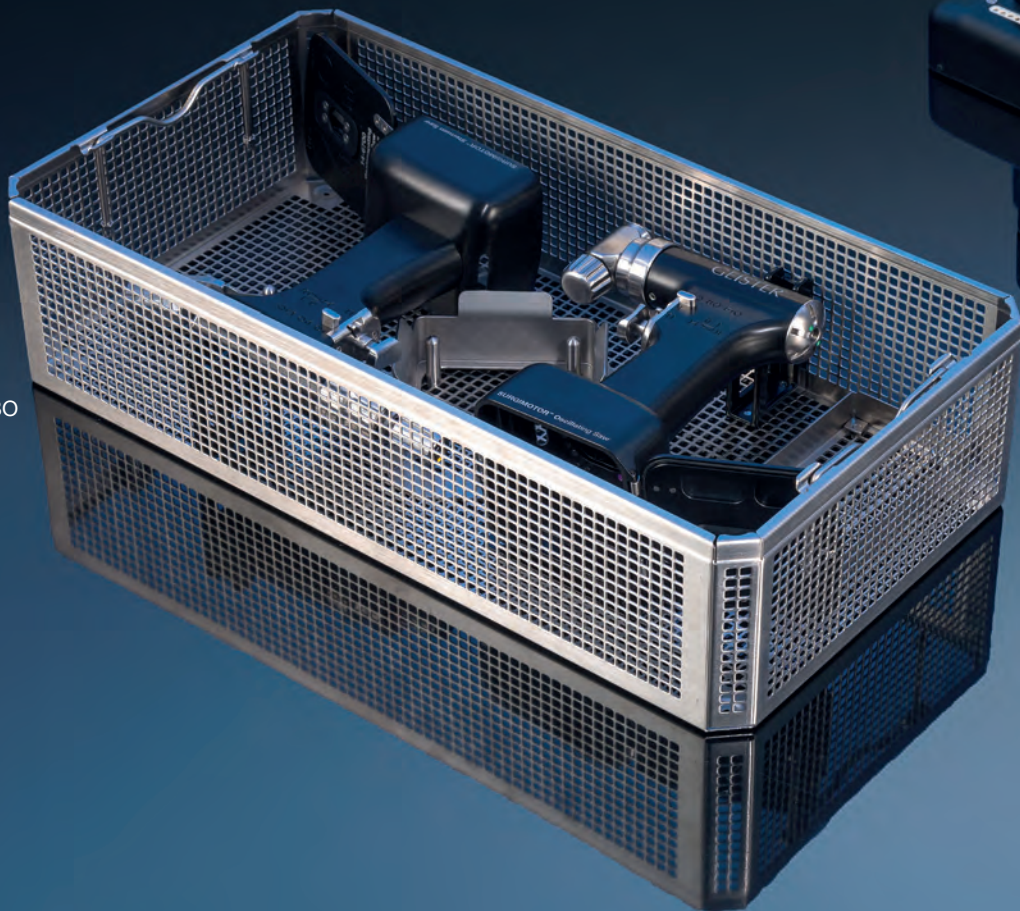
Saw Blades for 14-6710

non-sterile

| Art.-No. | Description |
|----------|---|
| 14-6714N | Sternum Saw Blade oscillating, 35 x 20 mm |
| 14-6715N | Sternum Saw Blade oscillating, 50 x 40 mm |
| 14-6716N | Sternum Saw Blade oscillating, 35 x 75 mm |



14-6740.BO



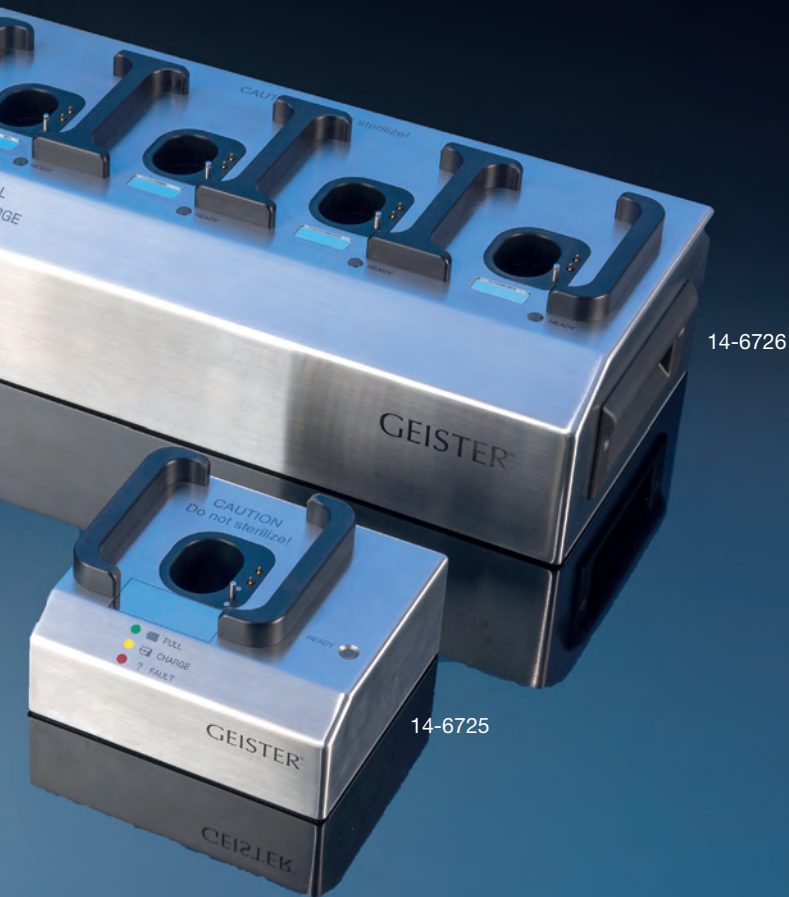
14-6720

14-6727.EU



14-6724





14-6726

14-6725

SURGIMOTOR™ Tray

| Art.-No. | Description |
|------------|---|
| 14-6740 | Tray with Lid for 2 Sternum Saws and Sterile Shield |
| 14-6740.BO | Tray without Lid |
| 14-6740.LD | Lid for Tray |
| 14-6741.BO | Tray without Lid for 1 Sternum Saw and Sterile Shield |

SURGIMOTOR™ Power Sources

| Art.-No. | Description |
|----------|---------------------------|
| 14-6720 | Li-Ion Power Pack |
| 14-6725 | Power Pack Charging Bay |
| 14-6726 | 4 Power Pack Charging Bay |

SURGIMOTOR™ Power Cable

| Art.-No. | Description |
|------------|----------------------------------|
| 14-6727.AA | Cable for Charger Australia-plug |
| 14-6727.EU | Cable for Charger EU-plug |
| 14-6727.UK | Cable for Charger UK-plug |
| 14-6727.US | Cable for Charger USA-plug |
| 14-6724 | POAG-Cable for Charger |



14-6728



14-6729

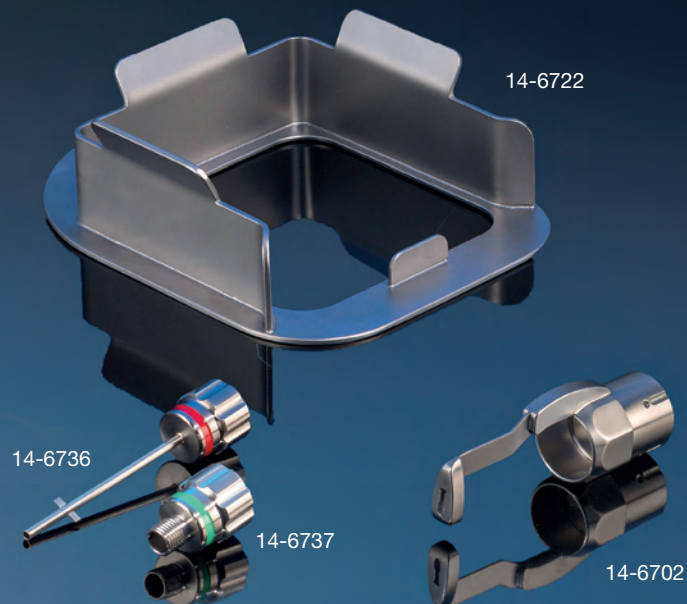


14-6731



14-6730

14-6732



For Trays and Containers see our special catalog.

Accessories for SURGIMOTOR™

| Art.-No. | Description |
|------------|---|
| 14-6702 | Sternum Saw Guard |
| 14-6722 | Sterile Shield |
| 14-6728 | Lubrication Stand |
| 14-6729 | Lubrication Oil Spray |
| 14-6730 | Spray Adapter, distal end, yellow |
| 14-6731 | Spray Adapter, center, blue |
| 14-6732 | Lubrication Adapter, universal, lilac |
| 14-6735 | Cleaning Brushes Set |
| 14-6736 | Flushing Adapter, Sternum Saw, red |
| 14-6737 | Flushing Adapter, Sternum Saw, green |
| 14-6738 | 3mach Cleaning Bridge |
| 14-6739.BL | 3mach Cleaning Bridge, Connector Belimed |
| 14-6739.GE | 3mach Cleaning Bridge, Connector Maquet/MediKomp/Getinge |
| 14-6739.ML | 3mach Cleaning Bridge, Connector Miele/Stielco/Webeco |



GEISTER Medizintechnik GmbH

Föhrenstrasse 2 | D-78532 Tuttlingen | Germany

☎ +49 7461/966240 | 📠 +49 7461/9662422

www.geister.com | info@geister.com