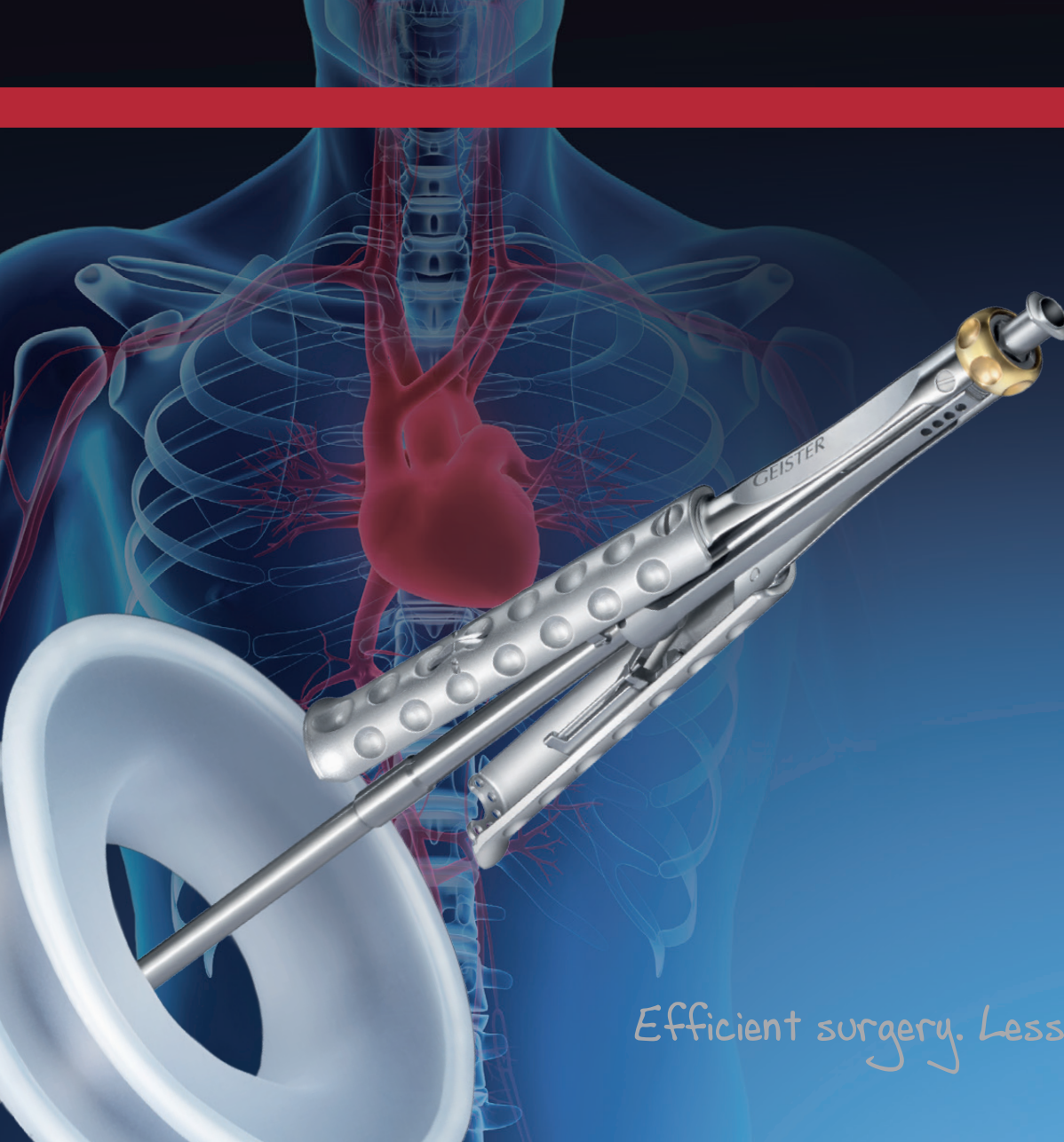




ValveGate™ PRO



Efficient surgery. Less invasive. Optimum results.

1995

1999

2000

2003

2004

Evolution of ValveGate™ instruments



Gold= Needle Holders



Black= Scissors



ValveGate™ PRO

Efficient surgery. Less invasive. Optimum results.

Achieve smaller approaches. Handle greater challenges.

Minimally invasive approaches, performed through small incisions, are becoming state-of-the-art in an effort by healthcare professionals to provide each patient with the best possible treatment. The most common types of minimally invasive cardiac surgery (MICS) are valve surgeries, including repairs and replacements, and even more challenging, coronary artery bypass. Such smaller incisions without a full sternotomy are expected to leave smaller scars with less trauma and bleeding.

Celebrating 20 years of excellence in MICS.

20 years experience and close cooperation with opinion leaders in Minimally Invasive Cardiac Surgery resulted in the development of our latest and most advanced generation of ValveGate™ MICS instruments... the all new ValveGate™PRO line!

Features:

- Ultra-lightweight and perfect balance
- Completely made from surgical stainless steel - without any plastic or aluminium components
- Full injection straight-flush cleaning concept
- Adjustable jaw and handle opening according users preference for less fatigue and time savings
- Scissors designed to cut even through hardest calcified tissues
- Needle Holders firmly grasp and drive even the largest needles
- Precise anastomosis suturing by finger turning and not by wrist bending
- New high precision ratchet
- Soft touch handles with elastic springs
- Ergonomic FAIRGRIP™ handles with large dimples
- Solid construction and optimized surfaces for maximum durability, wear and corrosion resistance
- Color coded for easier identification



2007

2010

2013



Silver= Graspers all others





ValveGate™ PRO



A

B



ValveGate™ PRO Scissors

A	38-7830	15° curved
B	38-7831	Jameson Scissors, curved, tenotomy tips
C	38-7832	20° curved, single action,
D	38-7833	robust, 30° curved, 7 mm shaft
E	38-7835	30° curved
F	38-7836	40° curved, single action
G	38-7840	70° curved
H	38-7842	Ligature Scissors, 70° curved wave-cut
I	38-7860	Potts Scissors 125°, 3.4 mm shaft
J	38-7862	Potts Scissors 45°, 3.4 mm shaft
K	38-7863	Potts Scissors 125°, 5 mm shaft
L	38-7861	Potts Scissors 45°, heavy pattern

ValveGate™ PRO Clip Applying Forceps

M	38-7460	small, for use with SLS/Vitalitec* Clips
	38-7460.HZ	small, for use with Horizon* Clips
	38-7462	medium, for use with SLS/Vitalitec* Clips
	38-7462.HZ	medium, for use with Horizon* Clips

5 mm shaft diameter, unless otherwise specified. Standard working length 25 cm/10" for minimally invasive valve surgery. For different length add "B", "C", "S", "L" or "XL" behind article number.

B = 12 cm/5" C = 15 cm/6" S = 17 cm/6¾" L = 30 cm/12" XL = 35 cm/14"



ValveGate™ PRO



A B C D E F G H I J K L M





ValveGate™ PRO Needle Holders with ratchet

A	38-7799	TC curved, Crile-Wood
B	38-7800	TC straight
C	38-7802	TC curved
D	38-7803	TC curved, short Colvin jaw
E	38-7804	TC curved, del., Micro Crile-Wood, jaw for 5-0/6-0 needles
F	38-7806	Mini TC curved, 2.7 mm shaft
G	38-7805	TC Ryder straight
H	38-7807	TC angled up

ValveGate™ PRO Dissecting Forceps

I	38-7823	Leaflet Grasper, long, with ratchet
J	38-7828	Gemini Dissecting Forceps, smooth dilating tips

ValveGate™ PRO Knot Pusher

K	38-7850	push to close
L	38-7851	push to open

ValveGate™ PRO IMA Holding Forceps

M	38-7878	Mini IMA Holding, 0.8 mm upwards, 1x2 mouse teeth, Sapphire™, 3.4 mm shaft
---	---------	--

5 mm shaft diameter, unless otherwise specified. Standard working length 25 cm/10" for minimally invasive valve surgery. For different length add "B", "C", "S", "L" or "XL" behind article number.

B = 12 cm/5" C = 15 cm/6" S = 17 cm/6¾" L = 30 cm/12" XL = 35 cm/14"



ValveGate™ PRO

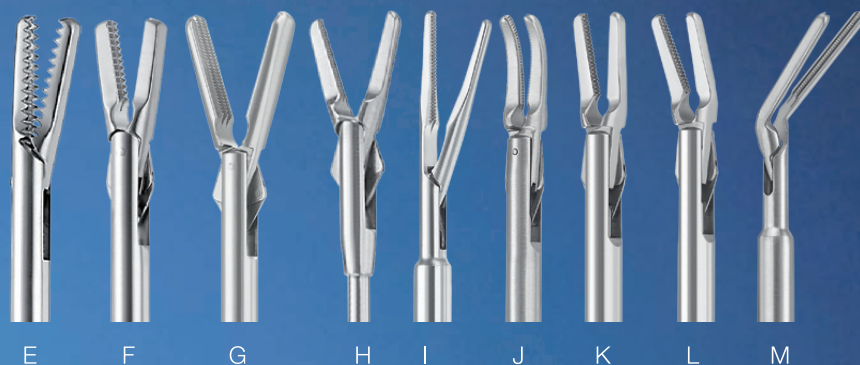


A

B

C

D



ValveGate™ PRO Gentle Graspers

- | | | |
|---|---------|---|
| A | 38-7816 | extra wide jaw, straight, TC |
| G | 38-7826 | extra wide jaw, straight, 2x3 teeth, 4,8x14 mm, with extra fine teeth |

ValveGate™ PRO DeBaKey Graspers

- | | | |
|---|---------|--|
| B | 38-7820 | 1x2 teeth, narrow, straight, 1.5x11 mm |
| C | 38-7821 | 1x2 teeth, narrow, angled upwards, 1.5x14 mm |
| D | 38-7822 | 1x2 teeth, narrow, angled sideways, 1.5x18 mm, vertically opening |
| E | 38-7824 | Grasper Resano, strong, jaw for valves, straight |
| F | 38-7825 | 1x2 teeth, wide jaw, 2.8x11 mm, straight |
| H | 38-7827 | 1x2 teeth, delicate, 1.5x11 mm, 3 mm malleable shaft |
| I | 38-7881 | 1x2 teeth, narrow, 1.5x15 mm, straight |
| J | 38-7917 | 1x2 teeth, narrow, 1.5x15 mm slightly curved |
| K | 38-7918 | 1x2 teeth, narrow, 1.5x15 mm angled sideways 10° |
| L | 38-7919 | 1x2 teeth, narrow, 1.5x15 mm angled sideways 25° |
| M | 38-7922 | 1x2 teeth, narrow, angled sideways 1.5x18 mm, horizontally opening |

5 mm shaft diameter, unless otherwise specified. Standard working length 25 cm/10" for minimally invasive valve surgery. For different length add "B", "C", "S", "L" or "XL" behind article number.

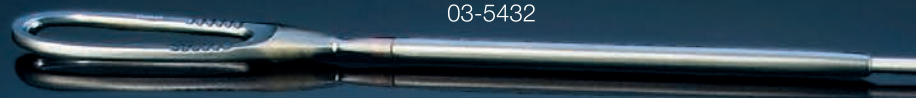
B = 12 cm/5" C = 15 cm/6" S = 17 cm/6¾" L = 30 cm/12" XL = 35 cm/14"



ValveGate™



03-5420



03-5432



03-5409



03-5408

ValveGate™


 GEISTER®


03-5430



03-5425

ValveGate™ Mohr Suture Ruler

(Chordae Tendinae Measuring and Knotting Device for ePTFE sutures)

03-5409 ValveGate™ Suture Ruler
3-60 mm, 35 cm/13¾"**ValveGate™ Mohr Knotting Device**

for chordal reconstruction with ePTFE sutures

03-5420

Shibata Chordae System

knotting device for facilitating chordal loop making

03-5425 15-26 mm

03-5425L 11-30 mm

Adams-Yozu Suture Gauge

03-5432

Adams-Yozu Knotting Caliper

with weight holder

03-5430



ValveGate™

34-7494

34-7465

34-7480

34-7495

34-7496



A B C D E F G H I J K





A	34-7486	ValveGate™ Fine Nerve and Vessel Hook, ball point, 90°	35 cm/13¾"
	34-7487	ValveGate™ Fine Nerve and Vessel Hook, ball point, 70°	35 cm/13¾"
B	34-7485	ValveGate™ Nerve and Vessel Hook	35 cm/13¾"
C	34-7484	ValveGate™ Vessel Hook	35 cm/13¾"
D	34-7475	ValveGate™ Suture Catcher fine, 1.8 mm	35.5 cm/14"
	34-7476	ValveGate™ Suture Catcher extra fine, 1.5mm	35.5 cm/14"
E	34-7480	ValveGate™ Magnetic Retriever	35 cm/13¾"
F	34-7471	ValveGate™ Holder for Scalpel blades #11 (without blades)	35 cm/13¾"
	16-2011	Scalpel Blades #11 (pack of 100, sterile)	
G	34-7470	ValveGate™ Holder for Mini Blades (without blades)	37 cm/14½"
	16-2065	Mini Scalpel Blades #65 (pack of 10, sterile)	
H	34-7465	ValveGate™ Valve Pusher	35 cm/13¾"
I	34-7494	ValveGate™ Adams-Yozu Knot Pusher, both sided	35 cm/13¾"
J	34-7495	ValveGate™ Knot Pusher	35 cm/13¾"
K	34-7496	ValveGate™ Knot Pusher with disc	35 cm/13¾"



ValveGate™



34-0960.AC

34-0860

34-3400

34-0855

18-0050

18-0051

18-4530

18-4540

18-4520

18-4521

18-4522

ValveGate™ Accessories



18-0050	ValveGate™ Cardioplegia Needle ø 2 mm	30.5 cm/12½"
18-0050L	ValveGate™ Cardioplegia Needle ø 2 mm	34 cm/13½"
18-0051	ValveGate™ Cardioplegia Needle ø 3 mm	30.5 cm/12"
34-0960.AC	ValveGate™ Endoscope ø 5 mm, direction of view 0° *	30 cm/12"
34-0961.AC	ValveGate™ Endoscope ø 5 mm, direction of view 30° *	30 cm/12"
18-4530	Heavy Bullet Vent	14x56 mm
18-4540	Double Lumen Bullet Vent	14x50 mm
18-4520	Ross Vent, Adult	47 mm
18-4521	Ross Vent, Child	37 mm
18-4522	Ross Vent, Infant	24 mm
34-0855	Thoracic Trocar	ø 6 mm
34-7510	Flexible Trocar	ø 6 mm, 70 mm
34-7511	Flexible Trocar	ø 6 mm, 100 mm
34-0952	Automatic Introducer cannula, automatic action, working length 103 mm, metal shaft, smooth	ø 5.5 mm
34-0952.PL	Automatic Introducer cannula, automatic action, working length 103 mm, plastic shaft, smooth	ø 5.5 mm
34-0952.VV	Silicone valve ø 3.5 mm - 8 mm, pack of 5 pieces for 34-0952 and 34-0952.PL	
34-0952.WC	White seal for 34-0952 and 34-0952.PL	
34-0956	Trocar, pyramidal point	ø 5.5 mm
34-3400	Veress Insufflation Needle, working length	120 mm
34-0860	Adams-Yozu Introducer Trocar	ø 2.3 mm

* autoclavable, universal eyepiece for C-Mount adapters with adapters compatible for Storz/Wolf/ACMI-type lightcables



ValveGate™



34-7280

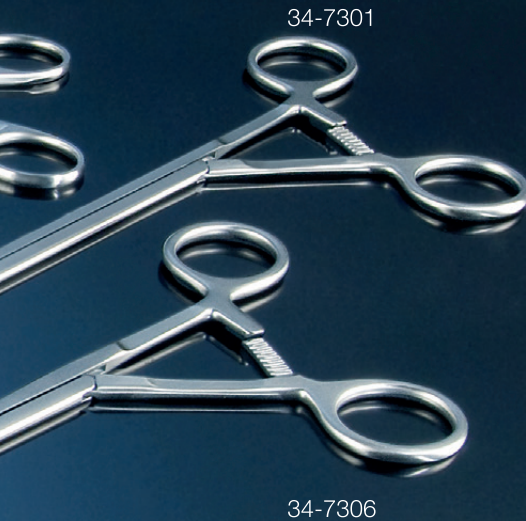
34-7302

34-7450

20-0351

20-0352

20-0378



34-7301

34-7306

ValveGate™ DeBakey Transthoracic Aortic Clamp, with ratchet, sliding shaft

34-7301	100 mm (1x2) regular jaw, working length 29 cm	36 cm
34-7302	50 mm (1x2) regular jaw, working length 22 cm	32 cm
34-7303	75 mm (1x2) regular jaw, working length 24,5 cm	34 cm
34-7306	100 mm (2x3) wide jaw, working length 26,5 cm	36 cm
34-7311	100 mm (2x3) wide jaw, acutely curved, working length 26,5 cm	35 cm

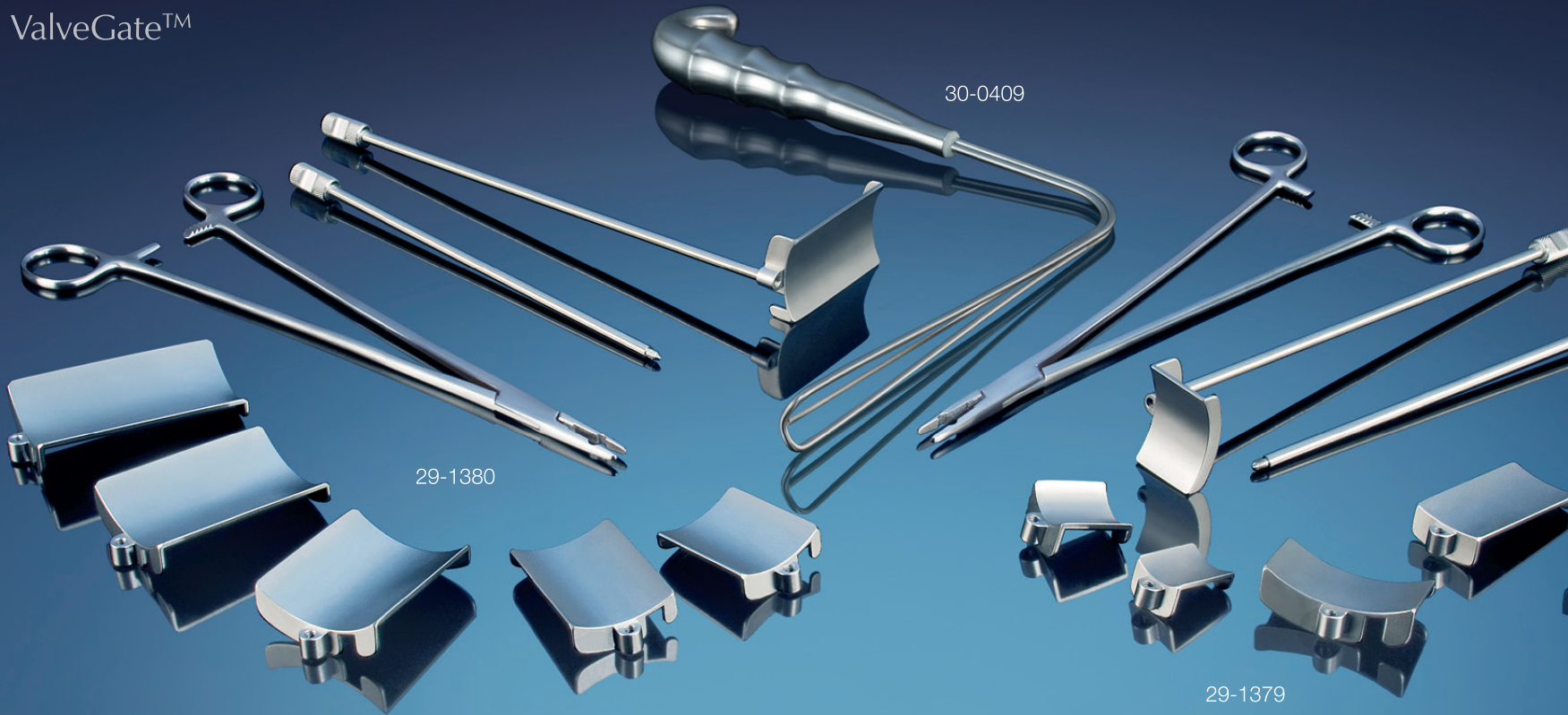
ValveGate™ Aortic Valve Rongeur/Biopsy Forceps

34-7450	3mm, straight	30 cm
34-7450.Z	3mm, straight, detachable	30 cm
34-7451	3mm, 30° upwards	30 cm
34-7451.Z	3mm, 30° upwards, detachable	30 cm

20-0351	DeBakey Bulldog Clamp straight	9 cm/3½"
20-0352	DeBakey Bulldog Clamp straight	10.5 cm/4"
20-0378	Bulldog Clamp Applying Forceps, jaw 45° angled up	24 cm/9½"
20-0378.SO	Bulldog Clamp Applying Forceps, jaw 25° angled up	24 cm/9½"
34-7280	Endoscopic Bulldog Clamp Applying Forceps, angled	27 cm/10½"
34-7281	Endoscopic Bulldog Clamp Applying Forceps, straight	27 cm/10½"



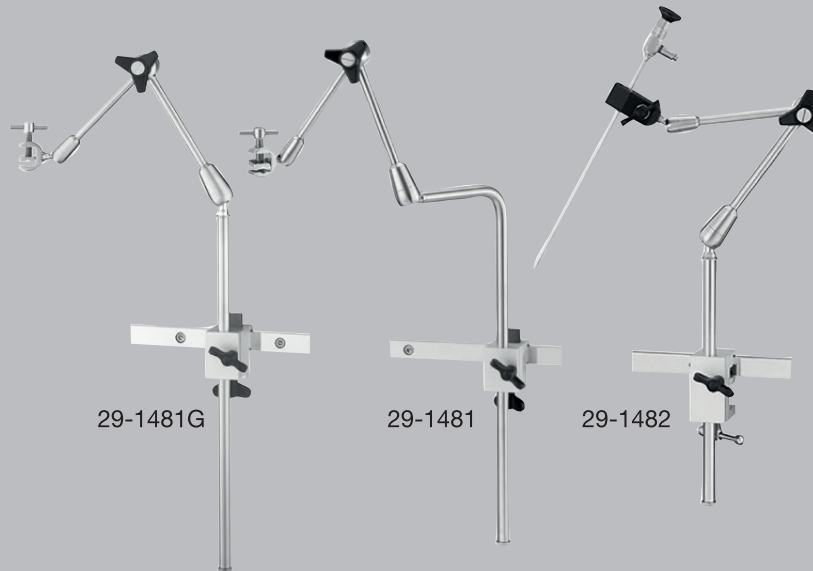
ValveGate™



30-0409

29-1380

29-1379



29-1481G

29-1481

29-1482

- 29-1380 ValveGate™ Set of 6 Mitral Blades
(35x40/35x60/35x50/45x50/45x60/45x70 mm)
with 2 Holders and Introducer
- 29-1379 ValveGate™ Set of 6 Tricuspidal Blades
(19x25.5/24.5x25.5/38x25.5/34.5x38.5/25.5x51/48x25.5 mm)
with 2 Holders and Introducer
- 30-0409 Hand-Held Deep Atrial Retractor,
working length 240 mm, 25 mm width
- 29-1481G Iron-Assistant™ Instrument Holder, extra long straight bar
29-1481 Iron-Assistant™ Instrument Holder, L-shaped bar
29-1481/I ditto, insulated for use with HF-surgery
29-1482 Iron-Assistant™ Endoscope Holder, straight bar
29-1482/I ditto, insulated for use with HF-surgery



- 29-5000 Iron-Assistant™ Pneumatic Endoscope Holder**
for direct connection with the compressed air supply in the OR (working pressure 5 bar up to 7 bar). Enables instantaneous and unlimited one-hand manipulation of an endoscope or tube shaft instrument within the operating field followed by total steadiness and stability under load once in the „locked“ position. Easy handling and highest reliability due to the one-hand concept with only 3 hinges and the use of titanium components for weight reduction. The pneumatic arm can be easily attached to the OR table rail and is autoclavable completely or partially (if draping is preferred) for quick sterile set-up.

- 77-3623 ValveGate™ Pro System Tray (see page 27)



ValveGate™



29-1395

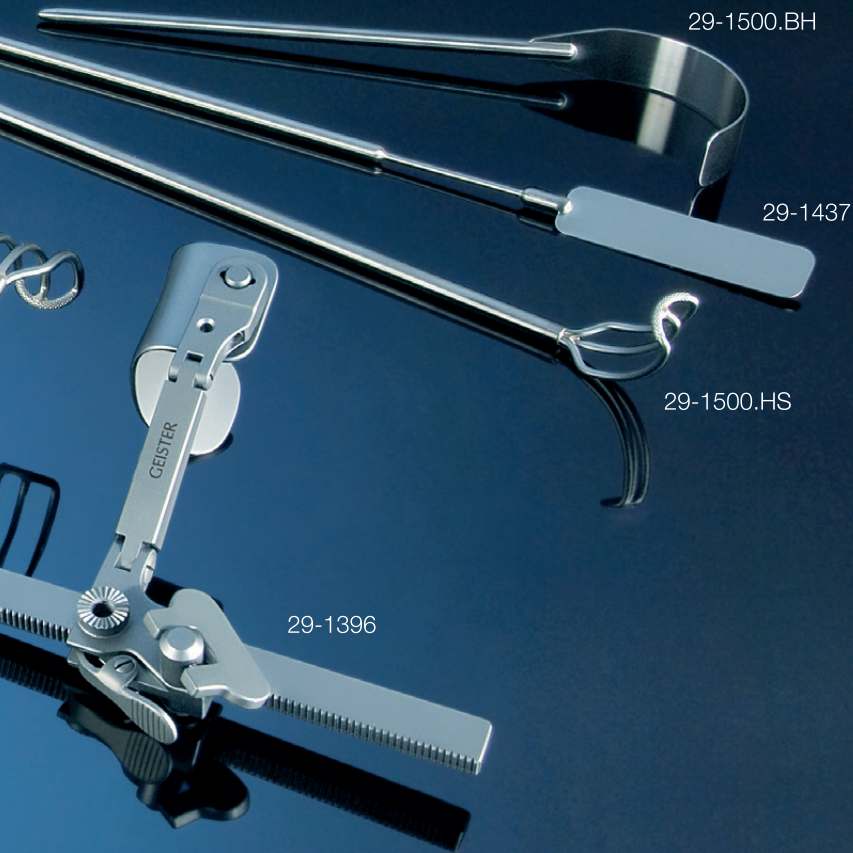
29-1397.06

30-0740

30-0546.16

29-1390

ValveGate™ Retractors

**ValveGate™ Mini-Thoracotomy Retractor**

29-1395	with straight arms, 40 mm x 60 mm tubular blades and turnable crossbar (detachable) for accessories
29-1390	with curved arms, 40 mm x 60 mm tubular blades with strong spreading bar and turnable crossbar (detachable) for accessories
29-1390.45	as above, but 40 mm x 45 mm blades
29-1390.80	as above, but 40 mm x 80 mm blades

Recommended ValveGate™ Accessories:

29-1397.06	ValveGate™ Suture Ring 6 mm with removable springs
29-1397.08	ValveGate™ Suture Ring 8 mm with removable springs
29-1395.TB	Extra turnable crossbar
29-1500.BH	Malleable Atrial Retractor 20 mm
29-1500.HS	Cooley Atrial Hook 20 mm curved basket
29-1501.HS	Cooley Atrial Hook 20 mm straight basket
29-1500.HS/D	Cooley Atrial Hook 20 mm curved basket, long shaft
29-1428	Fixation Clamp, 6 mm
29-1437	Multi-Purpose Spatula

ValveGate™ Mini-Thoracotomy Retractor

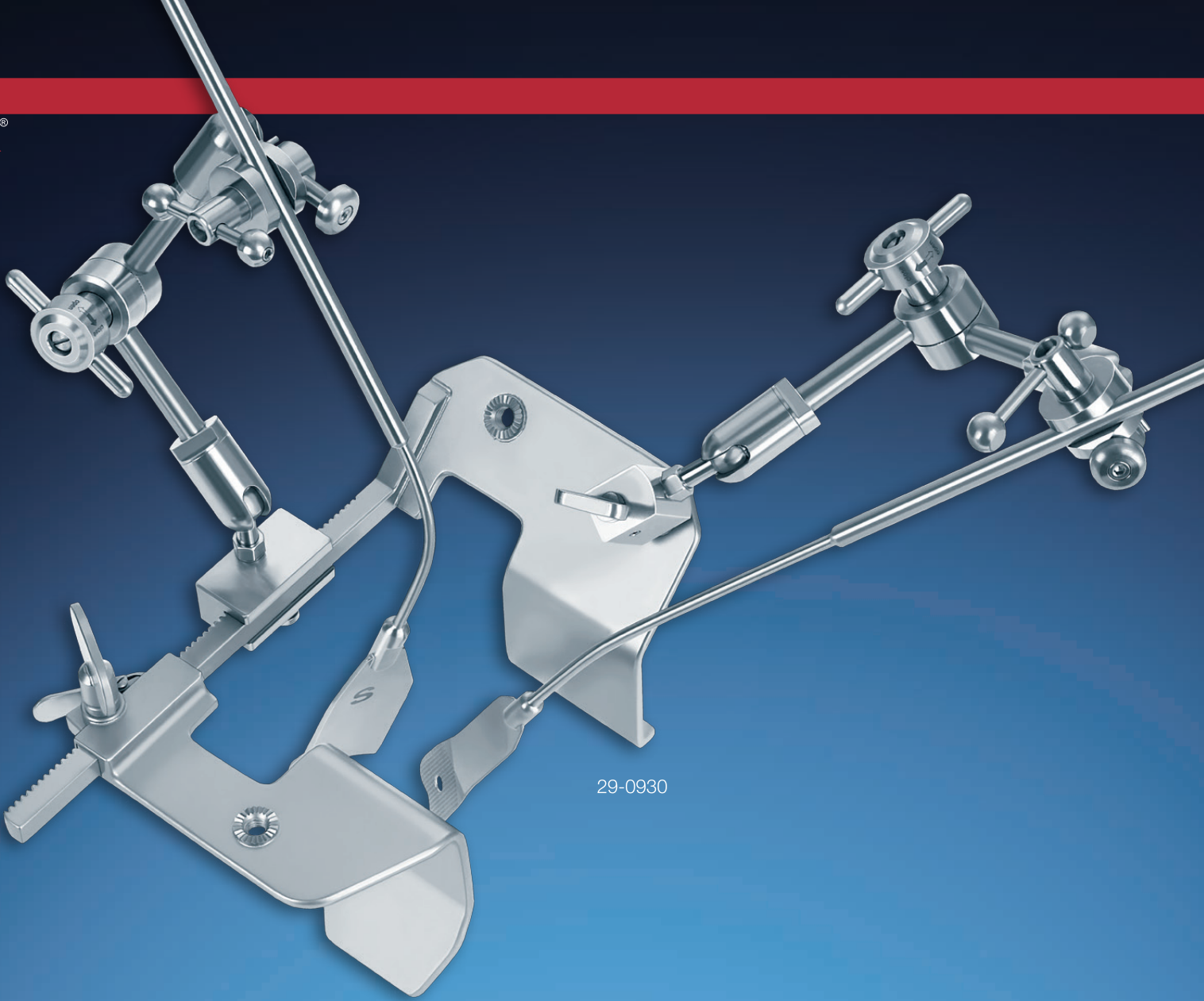
29-1396	with hinged arms, 2 x 2 exchangeable parallel blades 36 mm x 38 mm and 36 mm x 52 mm, turnable crossbar (detachable) for accessories*
29-1396E2	as above, but 2 x 2 tubular blades 40 mm x 50 mm and 40 mm x 70 mm**
29-1396E3	as above, but 3 x 2 tubular blades 40 mm x 30 mm and 40 mm x 50 mm and 40 mm x 70 mm**
30-0740	Cone Retractor 14.5 cm/5¾" deep pattern
30-0546.16	Memory Malleable Spatula 16 mm 18 cm/7"
30-0546.19	Memory Malleable Spatula 19 mm 18 cm/7"
30-0546.24	Memory Malleable Spatula 24 mm 18 cm/7"

* shown with 29-1428 and 29-1500.HS (not included)

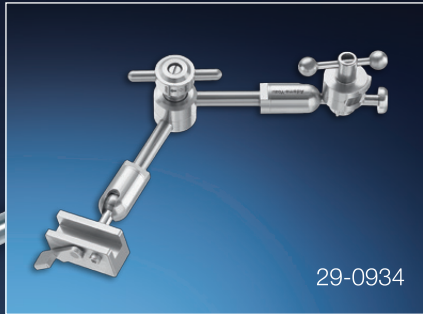
** also available with fenestrated blades. Add "M" behind article number.



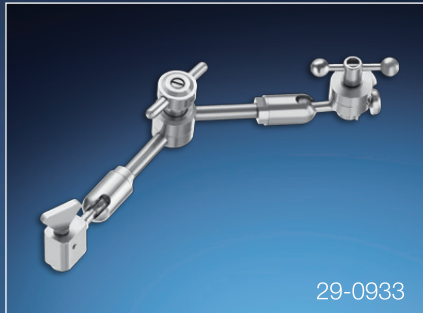
ValveGate™



29-0930



29-0934



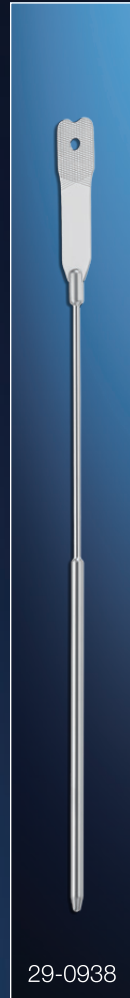
29-0933



29-0935



29-0937.35



29-0938



29-0930

Adams-Yozu Mini Valve System

Art.-No.	A	B	C	D
29-0930	55 mm	50 mm	95 mm	85 mm
	65 mm	50 mm		

small version

Art.-No.	A	B	C	D
29-0929	45 mm	40 mm	95 mm	85 mm
	55 mm	40 mm		

Accessories:

29-0933	Adams-Yozu Mini Arm with M6 screw connector
29-0934	Adams-Yozu Mini Arm with quick connector for spreading bar
29-0935	Attachment and Extension blade
29-0937.18	Depressor blade malleable 18 mm, "XXS" Ped., 85 mm deep, 44 cm
29-0937.23	Depressor blade malleable 23 mm, "XS", 70 mm deep, 44 cm
29-0937.28	Depressor blade malleable 28 mm, "S", 70 mm deep, 44 cm
29-0937.35	Depressor blade malleable 35 mm, "M", 70 mm deep, 44 cm
29-0937.45	Depressor blade malleable 45 mm, "L", 70 mm deep, 44 cm
29-0937.45L	Depressor blade malleable 45 mm, "XL", 90 mm extra deep, 44 cm
29-0938	Spatula malleable 20 mm, 70 mm deep, 36 cm



ValveGate™



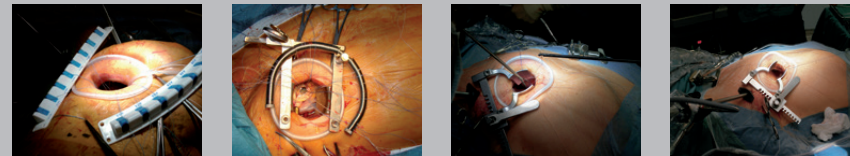
ValveGate™ Soft Tissue Protector

The ValveGate™ Soft Tissue Protector for Minimally Invasive Valve Surgery is a sterile, single patient use wall access device consisting of 2 overlaid plastic rings that are interconnected by means of a silicone rubber membrane. The bottom ring is a flexible ring made with a shape memory alloy to be inserted in situ.

The special features are:

- clear and unimpeded access to surgical site in minimally invasive valve or bypass surgery, MIDCAB, V.A.T.S., transcatheter or transapical valve replacement a.o.
- protects wound edge and surrounding tissue
- usable with or without retractor
- can be used in combination with incision foil
- reduces risk of embolic fat particles on instruments, sutures and knot pushers
- improves visibility and exposure
- self-holding, for incisions from 60-90 mm (regular size) 50-80 mm (medium size) and from 30-50 mm (small size)
- very easy to insert in situ
- high flexibility
- latex-free silicone rubber

29-1399	regular size	120x100 mm
29-1399M	medium size	100x100 mm
29-1399S	small size	70x70 mm



For easy placement simply push the flexible ring downwards as illustrated and insert it into the wound cavity. Then push the reversed portion carefully down as well and expand it. Remove it in the opposite way by inserting some fingers, grabbing a part of the flexible ring, and pulling it out carefully. Dispose after use.



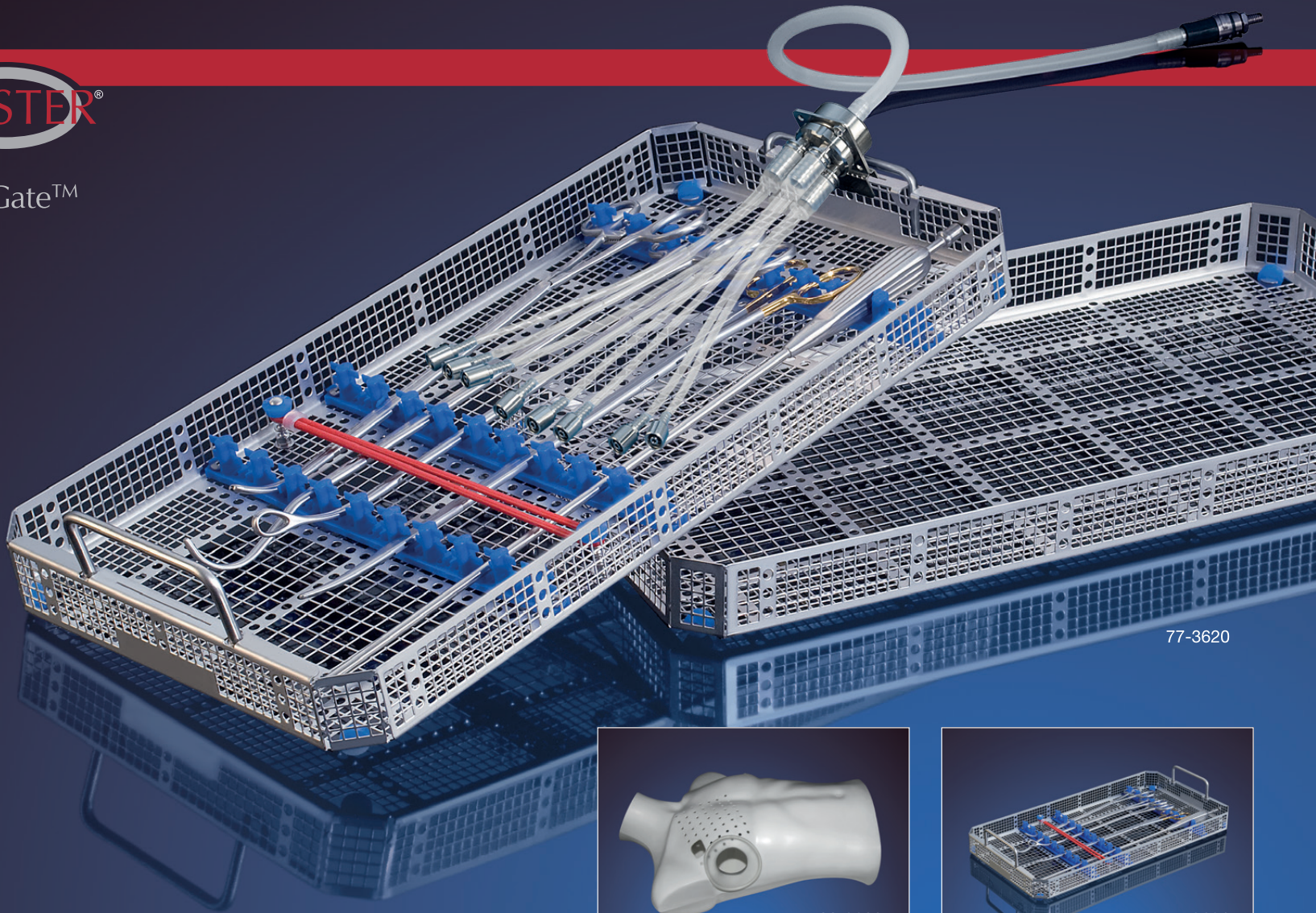
Art.-No. 25-8010

Punch Forceps for Soft Tissue Protector

26 cm, for cutting circular holes for placement of tubes and drains.



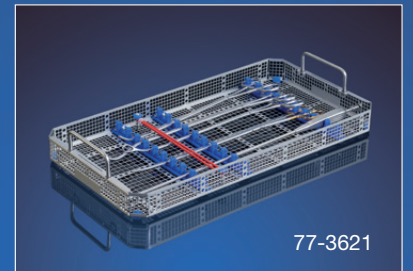
ValveGate™



77-3620



00-3800

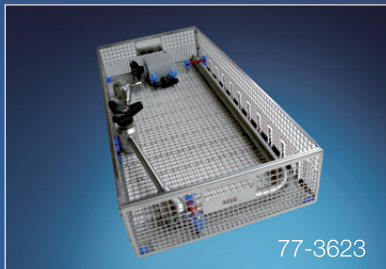


77-3621

System Trays



3mach[®]



77-3623



77-3600

- 00-3800 Charly ValveGate™ Trainer**
with USB-camera and -light
- 77-3620 ValveGate™ PRO System Tray basket container with filter**
Special Tray DIN with filter to connect 8 instruments
480x250x50 mm, with lid
- 77-3621 ValveGate™ PRO System Tray basket container**
Special Tray DIN with variable bracket and mounts
484x254x45 mm, with lid
- 77-3623 ValveGate™ Pro System Tray**
large special Tray for Iron-Assistant™,
536 x 240 x 85 mm, with lid
- 77-3600 Plastic Speciality Containers**
Convertible ValveGate™ & Laparoscopy, Base w. mat,
removable insert, 478 x 203 x 130 mm, clear lid
- 1/1 Type CleanLoop™ Sterilization Box**
- | | | |
|---------|-----------------------------|--|
| 77-7010 | Sterilization Box Aluminium | 590 x 290 x 100 mm, Lid standard (red) |
| 77-7011 | Sterilization Box Aluminium | 590 x 290 x 135 mm, Lid standard (red) |
| 77-7012 | Sterilization Box Aluminium | 590 x 290 x 150 mm, Lid standard (red) |
| 77-7013 | Sterilization Box Aluminium | 590 x 290 x 170 mm, Lid standard (red) |
| 77-7015 | Sterilization Box Aluminium | 590 x 290 x 220 mm, Lid standard (red) |
| 77-7017 | Sterilization Box Aluminium | 590 x 290 x 270 mm, Lid standard (red) |

Accessories see special catalog
"Trays and Containers"





REMARKABLE

Black and White Special Edition



38-7800/WK A variety of models is also optionally available in a new design of Black & White Special Edition (extra charge applies), please add "/WK" behind the item-number for ordering.

GEISTER Medizintechnik GmbH | Föhrenstrasse 2 | D-78532 Tuttlingen | Germany
Tel +49 (0) 74 61 966 240 | Fax +49 (0) 74 61 966 24 22 | Mail info@geister.com | www.geister.com

