

RadiAnalyzer™ Xpress
FFR Measurement System



Routine Use of FFR Measurement Significantly Reduces Major Adverse Coronary Events.

When integrated into cath lab procedures, measurement of Fractional Flow Reserve (FFR) has been shown to reduce the incidence of adverse events in patients being treated for complex coronary artery disease¹. Precise measurement of intravascular pressure relies on the combination of the market-leading pressure guidewire with exceptional maneuverability and the system which quickly delivers accurate readings within the cath lab workflow.

Integrated RadiAnalyzer™ Xpress for Quick and Convenient Clinical Decision-making

RadiAnalyzer Xpress is an easy-to-use, lightweight, durable instrument that supports both every day clinical decision-making and advanced research. Integrated with the cath lab table, RadiAnalyzer Xpress enables immediate access to FFR measurement without additional in-procedure installation or cabling, and with the RadiView™ software package, all results are available for review and analysis throughout the hospital network. Together with the versatile PressureWire™ Certus™, RadiAnalyzer Xpress enables assessment of FFR, IMR*, CFR and intravascular temperature, all using one wire.

- Simultaneous assessment of FFR, CFR and IMR
- Integration with cath lab table or mobile
- Data networking for remote access, analysis, storage and export of measurement data.
- Lightweight and compact monitor size
- On-screen, step-by-step guide for quick and easy setup.
- Compatible with any cath lab recording system on the market.

* IMR application not available in all markets.

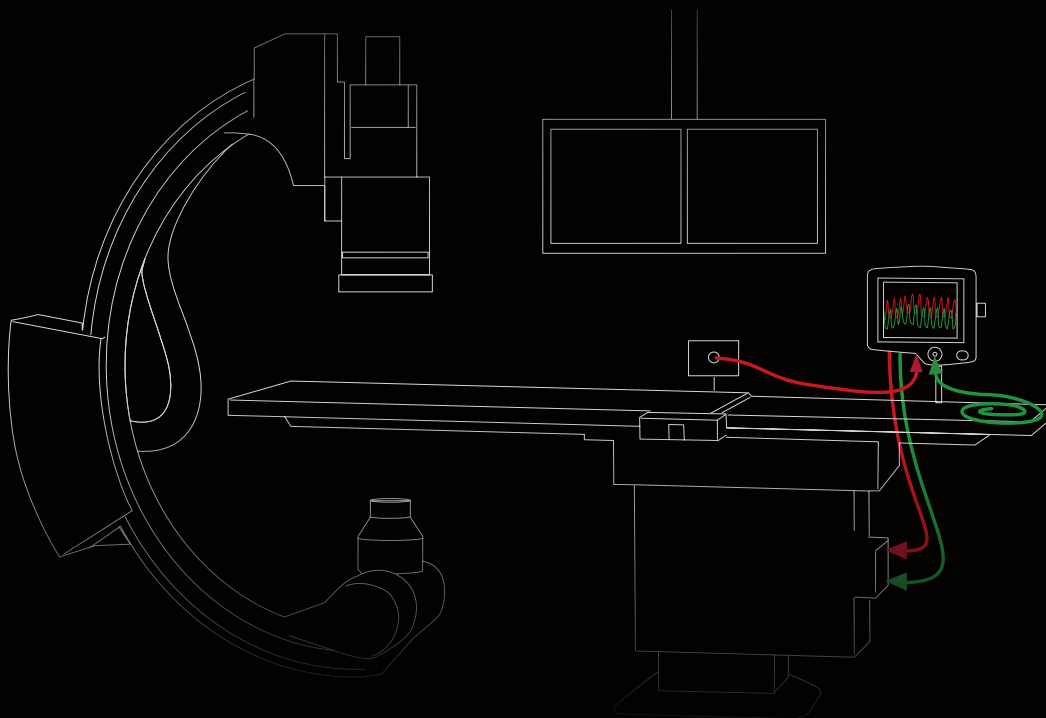


INTEGRATION FOR OPTIMAL FFR WORKFLOW

RadiAnalyzer Xpress System
Setup Cards

Benefits of Table Mounted RadiAnalyzer Xpress:

- FFR immediately available at the cath lab table
- No in-procedure cabling or setup
- Ability to handle zeroing of aortic pressure in the cath lab without involving control room staff
- Analyze, share and store results over network using RadiView software



Ordering Information

Model/Reorder Number	Product
12006	PressureWire Certus, 175 cm
12306	PressureWire Certus, 300 cm (US only)
12711	RadiAnalyzer Xpress
12777	Multi-purpose bracket
12720	RadiView Kit

Technical Specifications

PRESSURE

Pressure range	-30 to +300 mmHg
Zero thermal effect	0.3 mmHg/°C
Sensitivity thermal effect	0.3%/°C
Zero drift	< 7 mmHg/h
Pressure accuracy	±1 mmHg plus ± 1% (<50 mmHg) ± 3% (>50 mmHg) ±3 % (50 to 300 mmHg)
Frequency response	DC to 25 Hz

TEMPERATURE

Temperature range	15-42 °C
Relative temperature accuracy	0.05 °C or 10% ΔT, whichever greatest
Frequency response	DC to 25 Hz (CFR mode)

ELECTRICAL

Operating voltage	100-240 VAC, 50-60 Hz
-------------------	-----------------------

DIMENSIONS AND WEIGHT

Height x Depth x Width	29 x 11 x 31 cm (11.4 x 4.3 x 12.4 in)
Weight	4.4 kg (9.7 lbs)

ENVIRONMENT

Operating temperature	15 °C to 30 °C (59 °F to 86 °F)
Relative humidity operating	30-75%

1. Tonino PA, De Bruyne B, Pijls NH, et al. Fractional flow reserve versus angiography for guiding percutaneous coronary intervention. *N Engl J Med.* 2009;360(3):213-224.

ATRIAL FIBRILLATION CARDIAC RHYTHM MANAGEMENT CARDIOVASCULAR NEUROMODULATION

Global Headquarters

One St. Jude Medical Drive
St. Paul, Minnesota 55117
USA
+1 651 756 2000
+1 651 756 3301 Fax

Cardiovascular Division

177 East County Road B
St. Paul, Minnesota 55117
USA
+1 651 756 4470
+1 651 756 4466 Fax

St. Jude Medical Systems AB

Box 6350
SE-751 35 Uppsala
Sweden
+46 18 161000
+46 18 161099 Fax

U.S. Division

807 Las Cimas Parkway
Suite 400
Austin, Texas 78746
USA
+1 512 732 7400
+1 512 732 2418 Fax

St. Jude Medical Coordination Center BVBA

The Corporate Village
Avenue Da Vincilaan 11 Box F1
B-1935 Zaventem
Belgium
+32 2 774 68 11
+32 2 772 83 84 Fax

St. Jude Medical Japan Co., Ltd.

3-1-30, Minami-Aoyama
Minato-ku
Tokyo 107 0062
Japan
+81 3 3423 6450
+81 3 3402 5586 Fax

St. Jude Medical (Hong Kong) Ltd.

Suite 1608, 16/F Exchange Tower
33 Wang Chiu Road
Kowloon Bay, Kowloon
Hong Kong SAR
+852 2996 7688
+852 2956 0622 Fax

St. Jude Medical Brasil Ltda.

Rua Frei Caneca, 1380
7º ao 9º andares
01307-002 - São Paulo (SP)
Brazil
+55 11 5080 5400
+55 11 5080 5423 Fax

SJMprofessional.com



Rx Only

Brief Summary: Prior to using these devices, please review the Instructions for Use for a complete listing of indications, contraindications, warnings, precautions, potential adverse events, and directions for use.

Product referenced is approved for CE Mark.

RadiAnalyzer Xpress, PressureWire Certus, RadiView are designed, developed and manufactured by St. Jude Medical Systems AB. Patent Pending. Unless otherwise noted, ™ indicates a registered or unregistered trademark or service mark owned by, or licensed to, St. Jude Medical, Inc. or one of its subsidiaries. RadiAnalyzer Xpress, PressureWire Certus, RadiView, RADI, ST. JUDE MEDICAL, the nine-squares symbol, and MORE CONTROL. LESS RISK. are registered and unregistered trademarks and service marks of St. Jude Medical, Inc. and its related companies.

©2010 St. Jude Medical, Inc.

Item 100036532